

Datasheet & Operating instructions

Model: LS-50C700

LED power supply for 700 mA constant current

42.5...71.5 Vdc, 50 W max., IP20, independent installation, non-dimmable

Flicker-free according to IEEE 1789



Exploded view



Electrical data

Rated input voltage	220...240 Vac	
Range of input voltage (AC)	176...264 Vac	
Range of input voltage (DC)	176...280 Vdc	
Mains Frequency	50/60 Hz	
Power factor (λ)	≥ 0.95	Full Load, 240 Vac
Input current	0.37 A max.	Full Load, 176 Vac
Inrush current	20 A max.	Full Load, 240 Vac
Leakage current	< 0.5 mA	
Output voltage	42.5...71.5 Vdc	
Output current	700 mA	
Output power (nominal)	30...50 W	
Efficiency	$\geq 89\%$	
Life time	> 30,000 h	
Dimmable	No	

Operating condition

Operating temperature range (t_a)	-20...+45 °C
Max. Surface temperature (t_c)	85 °C
Permitted rel. humidity	10...90 %
Protection class	II
Type of protection	IP20

Protection

Short circuit protection	Yes *	
Overload protection	Yes *	103...120 %
Overvoltage protection	Yes *	> 83 Vdc

(*) The output shuts off and will be resumed, after problem is removed and led driver is restarted.

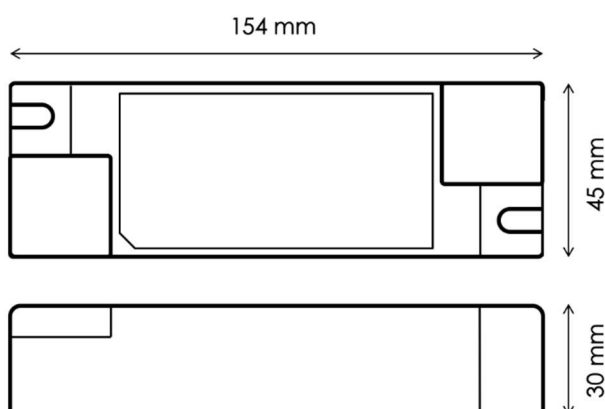
Standards

Standards	EN 61347-1, EN 61347-2-13 EN 61000-3-2, EN 61000-3-3 EN 61000-4-2, EN 61000-4-5 EN 55015, EN 61547
Marking	CE, UKCA
RoHS compliant	Yes

Installation

Type of installation	Independent installation	
Type of connection	Spring-loaded terminal	
Cable cross-section, input side	0.5...1.5 mm ²	
Cable cross-section, output side	0.5...1.5 mm ²	
Cable preparation length, input side	7...9 mm	
Cable preparation length, output side	7...9 mm	
Circuit breaker (230V)	10A Type B: 13 pc. 13A Type B: 16 pc. 16A Type B: 19 pc. 20A Type B: 22 pc.	10A Type C: 16 pc. 13A Type C: 20 pc. 16A Type C: 24 pc. 20A Type C: 28 pc.

Dimension



Connection



Important notice

Download the safety instructions at www.illuburg.de/infocenter, read them carefully and observe the listed instructions and information for proper use.

Disclaimer of liability

Subject to changes and errors excepted. Make sure you are using the latest version.

Manufacturer Information

If you have any further questions, please contact our technical support.

HuaTec GmbH
Droopweg 31
20537, Hamburg, Germany

Telefon: +49 40 236448800
E-Mail: info@illuburg.de
Website: www.illuburg.de



www.illuburg.de