

# Datasheet & Operating instructions

## Model: LS-8CM

LED power supply with adjustable output current

8...22.5 Vdc, 1.6...8 W, IP20, independent installation, non-dimmable

Flicker-free according to IEEE 1789



### Exploded view



## Electrical data

<b>Rated input voltage</b>	220...240 Vac	
<b>Range of input voltage</b>	198...264 Vac	
<b>Range of input voltage (DC)</b>	176...250 Vdc	
<b>Mains Frequency</b>	50/60 Hz	
<b>Power factor (<math>\lambda</math>)</b>	0.50 C	
<b>Input current</b>	0.1 A max.	
<b>No-Load loss</b>	$\leq 0.5$ W	
<b>Output options</b>	200 mA, 8...22.5 Vdc, 1.6...4.5 W	250 mA, 8...22.5 Vdc, 2...5.6 W
	300 mA, 8...22.5 Vdc, 2.4...6.7 W	350 mA, 8...22.5 Vdc, 2.8...8 W
<b>Efficiency</b>	$\geq 73$ %	
<b>Life time</b>	> 50,000 h	
<b>Dimmable</b>	No	

## Operating condition

<b>Operating temperature range (<math>t_a</math>)</b>	-20...+45 °C
<b>Max. Surface temperature (<math>t_c</math>)</b>	85 °C
<b>Permitted rel. humidity</b>	5...85 %
<b>Protection class</b>	II
<b>Type of protection</b>	IP20

## Protection

<b>Short circuit protection</b>	Yes *
<b>Overcurrent protection</b>	Yes *
<b>Overvoltage protection</b>	Yes *

(\*) The output shuts off and will be resumed, after problem is removed and led driver is restarted.

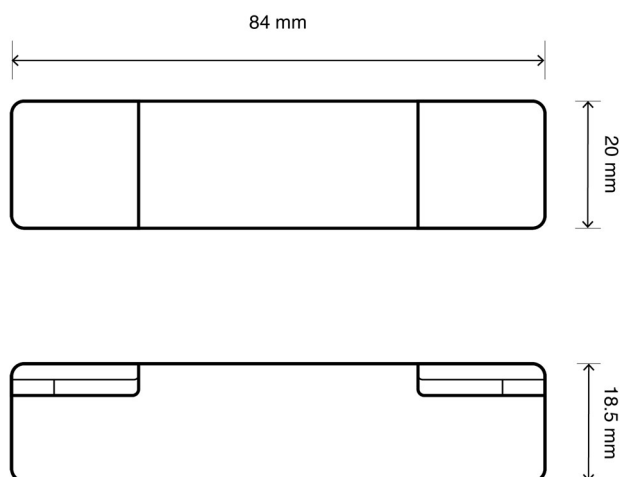
## Standards

<b>Standards</b>	EN 61347-1, EN 61347-2-13 EN62384, EN 55015, EN 61547 EN 61000-3-2, EN 61000-3-3
<b>Marking</b>	CE, UKCA
<b>RoHS compliant</b>	Yes

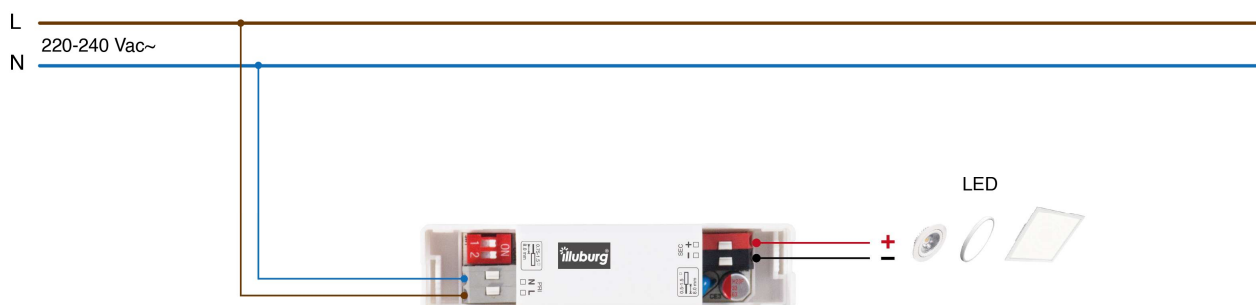
## Installation

<b>Type of installation</b>	Independent installation	
<b>Type of connection</b>	Spring-loaded terminal	
<b>Cable cross-section, input side</b>	0.75...1.5 mm <sup>2</sup>	
<b>Cable cross-section, output side</b>	0.5...1.5 mm <sup>2</sup>	
<b>Cable preparation length, input side</b>	8 mm	
<b>Cable preparation length, output side</b>	8 mm	
<b>Circuit breaker (230V)</b>	10A Typ B: 12 pc. 13A Typ B: 15 pc. 16A Typ B: 19 pc. 20A Typ B: 23 pc.	10A Typ C: 25 pc. 13A Typ C: 32 pc. 16A Typ C: 40 pc. 20A Typ C: 50 pc.

## Dimension



## Connection



## Important notice

Download the safety instructions at [www.illuburg.de/infocenter](http://www.illuburg.de/infocenter), read them carefully and observe the listed instructions and information for proper use.

## Disclaimer of liability

Subject to changes and errors excepted. Make sure you are using the latest version.

## Manufacturer Information

If you have any further questions, please contact our technical support.

HuaTec GmbH  
Droopweg 31  
20537, Hamburg, Germany

Telefon: +49 40 236448800  
E-Mail: [info@illuburg.de](mailto:info@illuburg.de)  
Website: [www.illuburg.de](http://www.illuburg.de)

