

Datasheet & Operating instructions

Model: LS-8CS

LED power supply with adjustable output current

27...40 Vdc, 3.3...8 W, IP20, independent installation, non-dimmable

Flicker-free according to IEEE 1789



Exploded view



Electrical data

Rated input voltage	220...240 Vac	
Range of input voltage	198...264 Vac	
Range of input voltage (DC)	176...250 Vdc	
Mains Frequency	50/60 Hz	
Power factor (λ)	0.50 C	
Input current	0.1 A max.	
No-Load loss	≤ 0.5 W	
Output options	120 mA, 27...40 Vdc, 3.3...4.8 W	150 mA, 27...40 Vdc, 4.1...6 W
	180 mA, 27...40 Vdc, 4.9...7.2 W	200 mA, 27...40 Vdc, 5.4...8 W
Efficiency	≥ 74 %	
Life time	> 50,000 h	
Dimmable	No	

Operating condition

Operating temperature range (t_a)	-20...+45 °C
Max. Surface temperature (t_c)	85 °C
Permitted rel. humidity	5...85 %
Protection class	II
Type of protection	IP20

Protection

Short circuit protection	Yes *
Overcurrent protection	Yes *
Overvoltage protection	Yes *

(*) The output shuts off and will be resumed, after problem is removed and led driver is restarted.

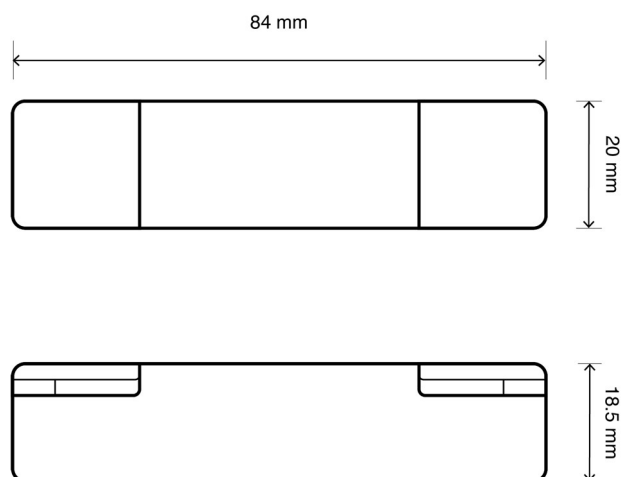
Standards

Standards	EN 61347-1, EN 61347-2-13 EN62384, EN 55015, EN 61547 EN 61000-3-2, EN 61000-3-3
Marking	CE, UKCA
RoHS compliant	Yes

Installation

Type of installation	Independent installation	
Type of connection	Spring-loaded terminal	
Cable cross-section, input side	0.75...1.5 mm ²	
Cable cross-section, output side	0.5...1.5 mm ²	
Cable preparation length, input side	8 mm	
Cable preparation length, output side	8 mm	
Circuit breaker (230V)	10A Typ B: 12 pc. 13A Typ B: 15 pc. 16A Typ B: 19 pc. 20A Typ B: 23 pc.	10A Typ C: 25 pc. 13A Typ C: 32 pc. 16A Typ C: 40 pc. 20A Typ C: 50 pc.

Dimension



Connection



Important notice

Download the safety instructions at www.illuburg.de/infocenter, read them carefully and observe the listed instructions and information for proper use.

Disclaimer of liability

Subject to changes and errors excepted. Make sure you are using the latest version.

Manufacturer Information

If you have any further questions, please contact our technical support.

HuaTec GmbH
Droopweg 31
20537, Hamburg, Germany

Telefon: +49 40 236448800
E-Mail: info@illuburg.de
Website: www.illuburg.de



www.illuburg.de