

# Datasheet & Operating instructions

## Model: CS5-12C500

LED power supply for 500 mA constant current

14...24 Vdc, 7...12 W, IP65, Built-in installation, non-dimmable

Flicker-free according to IEEE 1789



## Electrical data

Rated input voltage	100...240 Vac	
Range of input voltage	90...264 Vac	
Mains Frequency	50/60 Hz	
Power factor ( $\lambda$ )	$\geq 0.92$ C	Full load, 100...240 Vac
Input current	0.19 A max.	Full load, 90 Vac
No-load loss	$\leq 0.5$ W	
Inrush current	30 A max.	
Output voltage	14...24 Vdc	
Output current	500 mA	
Output power (nominal)	7...12 W	
Efficiency	$\geq 81$ %	
Life time	> 50,000 h	
Dimmable	No	

## Operating condition

Operating temperature range ( $t_a$ )	-20...+50 °C	
Max. Surface temperature ( $t_c$ )	85 °C	
Permitted rel. humidity	20...90 %	
Protection class	II	
Type of protection	IP65	

## Protection

Short circuit protection	Yes *	
Overload protection	Yes *	103...120 %
Overvoltage protection	Yes *	> 34 Vdc

(\*) The output shuts off and will be resumed, after problem is removed and led driver is restarted.

## Standards

<b>Standards</b>	EN 61347-1, EN 61347-2-13 EN 61000-3-2, EN 61000-3-3 EN 55015, EN 61547	
<b>Marking</b>	CE, UKCA	
<b>RoHS compliant</b>	Yes	

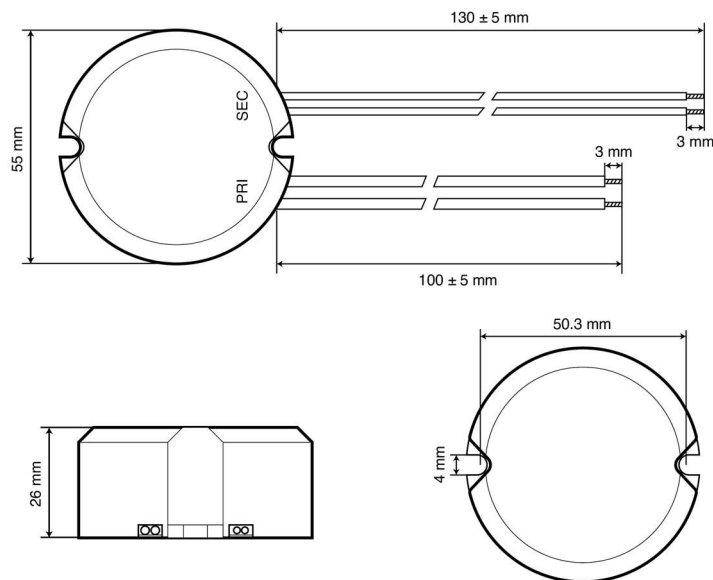
## Installation

<b>Cable length, input side</b>	100 ± 5 mm	
<b>Cable length, output side</b>	130 ± 5 mm	
<b>Cable cross-section, input side</b>	2 x 20 AWG	
<b>Cable cross-section, output side</b>	2 x 20 AWG	
<b>Cable preparation length, input side</b>	3 mm verzinkt	
<b>Cable preparation length, output side</b>	3 mm verzinkt	
<b>Circuit breaker (230V)</b>	10A Typ B: 21 pc. 16A Typ B: 34 pc. 20A Typ B: 43 pc.	10A Typ C: 36 pc. 16A Typ C: 58 pc. 20A Typ C: 72 pc.

## Dimension

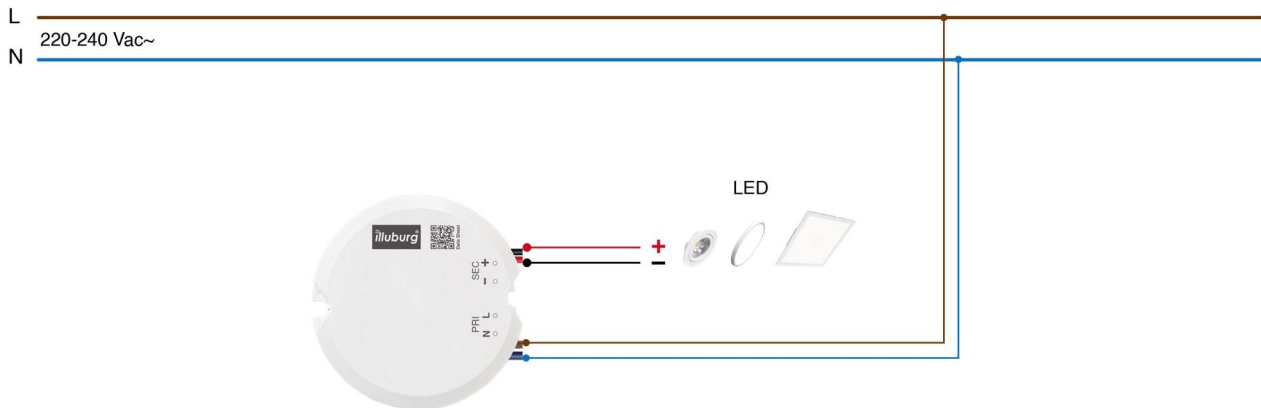
AC INPUT (2 x 20AWG)  
BROWN (L)  
BLUE (N)

DC OUTPUT (2 x 20AWG)  
RED (+)  
BLACK (-)



Unspecified tolerance: ±2

## Connection



## Important notice

Download the safety instructions at [www.illuburg.de/infocenter](http://www.illuburg.de/infocenter), read them carefully and observe the listed instructions and information for proper use.

## Disclaimer of liability

Subject to changes and errors excepted. Make sure you are using the latest version.

## Manufacturer Information

If you have any further questions, please contact our technical support.

HuaTec GmbH  
Droopweg 31  
20537, Hamburg, Germany

Telefon: +49 40 236448800  
E-Mail: [info@illuburg.de](mailto:info@illuburg.de)  
Website: [www.illuburg.de](http://www.illuburg.de)

