

Datasheet & Operating instructions

Model: CS5-12C700

LED power supply for 700 mA constant current

10.5...17.5 Vdc, 7.35...12.3 W, IP65, Built-in installation, non-dimmable

Flicker-free according to IEEE 1789



Electrical data

Rated input voltage	100...240 Vac	
Range of input voltage	90...264 Vac	
Mains Frequency	50/60 Hz	
Power factor (λ)	≥ 0.92 C	
Input current	0.19 A max.	
No-load loss	≤ 0.5 W	
Inrush current	30 A max.	
Output voltage	10.5...17.5 Vdc	
Output current	700 mA	
Output power (nominal)	7.35...12.3 W	
Efficiency	≥ 81 %	
Life time	> 50,000 h	
Dimmable	No	

Operating condition

Operating temperature range (t_a)	-20...+50 °C	
Max. Surface temperature (t_c)	85 °C	
Permitted rel. humidity	20...90 %	
Protection class	II	
Type of protection	IP65	

Protection

Short circuit protection	Yes *	
Overload protection	Yes *	103...120 %
Overvoltage protection	Yes *	> 28 Vdc

(*) The output shuts off and will be resumed, after problem is removed and led driver is restarted.

Standards

Standards	EN 61347-1, EN 61347-2-13 EN 61000-3-2, EN 61000-3-3 EN 55015, EN 61547	
Marking	CE, UKCA	
RoHS compliant	Yes	

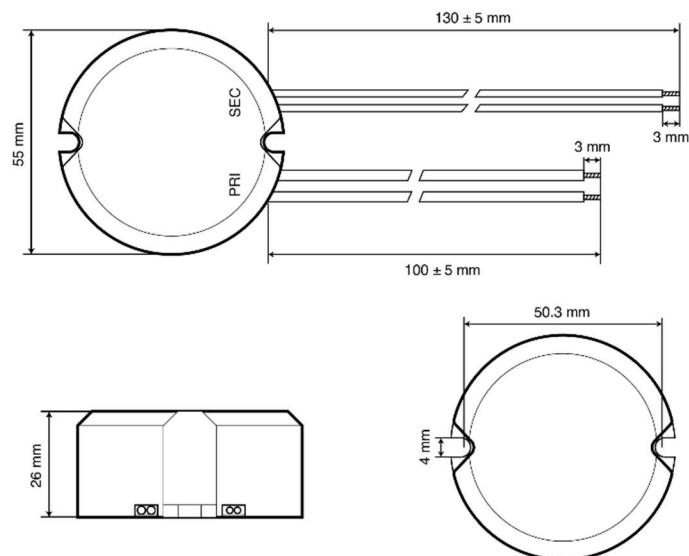
Installation

Cable length, input side	100 ± 5 mm	
Cable length, output side	130 ± 5 mm	
Cable cross-section, input side	2 x 20 AWG	
Cable cross-section, output side	2 x 20 AWG	
Cable preparation length, input side	3 mm tinned	
Cable preparation length, output side	3 mm tinned	
Circuit breaker (230V)	10A Type B: 21 pc. 16A Type B: 34 pc. 20A Type B: 43 pc.	10A Type C: 36 pc. 16A Type C: 58 pc. 20A Type C: 72 pc.

Dimension

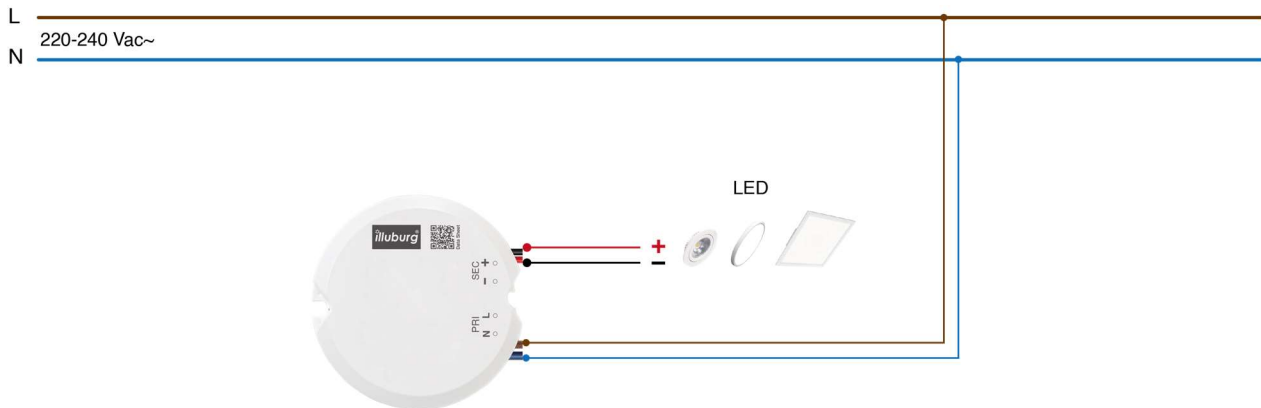
AC INPUT (2 x 20AWG)
BROWN (L)
BLUE (N)

DC OUTPUT (2 x 20AWG)
RED (+)
BLACK (-)



Unspecified tolerance: ±2

Connection



Important notice

Download the safety instructions at www.illuburg.de/infocenter, read them carefully and observe the listed instructions and information for proper use.

Disclaimer of liability

Subject to changes and errors excepted. Make sure you are using the latest version.

Manufacturer Information

If you have any further questions, please contact our technical support.

HuaTec GmbH
Droopweg 31
20537, Hamburg, Germany

Telefon: +49 40 236448800
E-Mail: info@illuburg.de
Website: www.illuburg.de

