

# Datasheet & Operating instructions

## Model: CS5-25C700

LED power supply for 700 mA constant current

21.5...36 Vdc, 15...25 W, IP65, Built-in installation, non-dimmable

Flicker free according to IEEE 1789



**IP65 SELV**



## Electrical data

<b>Rated input voltage</b>	100...240 Vac	
<b>Range of input voltage</b>	90...264 Vac	
<b>Mains frequency</b>	50/60 Hz	
<b>Power factor (<math>\lambda</math>)</b>	$\geq 0.95$	Full load, 100...240 Vac
<b>Input current</b>	0.38 A max.	Full load, 90 Vac
<b>Inrush current</b>	20 A max.	
<b>Output voltage</b>	21.5...36 Vdc	
<b>Output current</b>	700 mA	
<b>Output power (nominal)</b>	15...25.2 W	
<b>Efficiency</b>	$\geq 86\%$	
<b>Life time</b>	> 50,000 h	
<b>Dimmable</b>	No	

## Operating condition

<b>Operating temperature range (<math>t_a</math>)</b>	-20...+50 °C	
<b>Max. Surface temperature (<math>t_c</math>)</b>	85 °C	
<b>Permitted rel. humidity</b>	20...90 %	
<b>Protection class</b>	II	
<b>Type of protection</b>	IP65	

## Protection

<b>Short circuit protection</b>	Yes *	
<b>Overload protection</b>	Yes *	103...120 %
<b>Overvoltage protection</b>	Yes *	> 46 Vdc

(\*) The output shuts off and will be resumed, after problem is removed and led driver is restarted.

## Standards

<b>Standards</b>	EN 61347-1, EN 61347-2-13 EN62384, EN 55015, EN 61547 EN 61000-3-2, EN 61000-3-3	
<b>Marking</b>	CE, UKCA	
<b>RoHS compliant</b>	Yes	

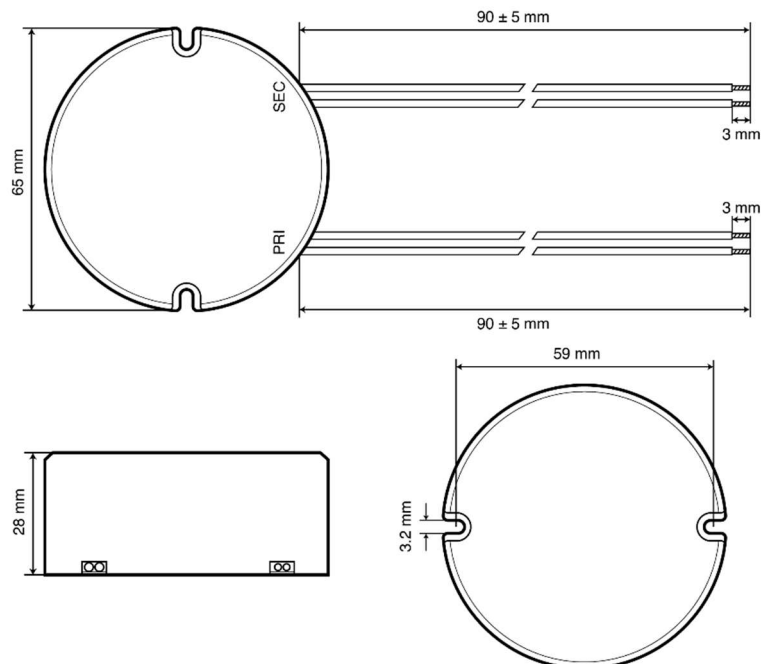
## Installation

<b>Cable length, input side</b>	90 ± 5 mm	
<b>Cable length, output side</b>	90 ± 5 mm	
<b>Cable cross-section, input side</b>	2 x 20 AWG	
<b>Cable cross-section, output side</b>	2 x 22 AWG	
<b>Cable preparation length, input side</b>	3 mm	
<b>Cable preparation length, output side</b>	3 mm	
<b>Circuit breaker (230V)</b>	10A Type B: 24 pc. 13A Type B: 30 pc. 16A Type B: 36 pc. 20A Type B: 42 pc.	10A Type C: 30 pc. 13A Type C: 37 pc. 16A Type C: 45 pc. 20A Type C: 53 pc.

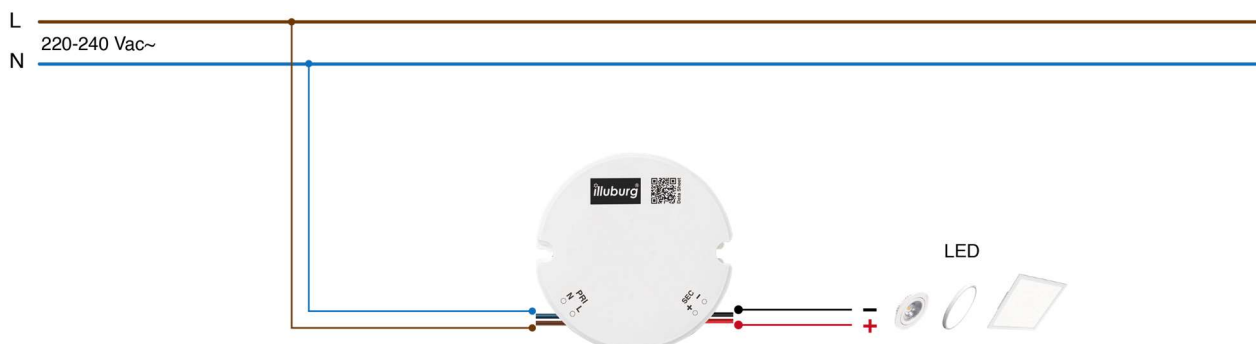
## Dimension

AC INPUT (2 x 20AWG)  
BROWN (L)  
BLUE (N)

DC OUTPUT (2 x 22AWG)  
RED (+)  
BLACK (-)



## Connection



## Important notice

Download the safety instructions at [www.illuburg.de/infocenter](http://www.illuburg.de/infocenter), read them carefully and observe the listed instructions and information for proper use.

## Disclaimer of liability

Subject to changes and errors excepted. Make sure you are using the latest version.

## Manufacturer Information

If you have any further questions, please contact our technical support.

HuaTec GmbH  
Droopweg 31  
20537, Hamburg, Germany

Telefon: +49 40 236448800  
E-Mail: [info@illuburg.de](mailto:info@illuburg.de)  
Website: [www.illuburg.de](http://www.illuburg.de)

