

Datasheet & Operating instructions

Model: LS-30V12E

LED power supply for 12 Vdc constant voltage

2.5 A (30W) max., IP20, independent installation, non-dimmable

Flicker free according to IEEE 1789



Exploded view



Electrical data

Rated input voltage	220...240 Vac	
Range of input voltage	198...264 Vac	
Mains frequency	50/60 Hz	
Power factor (λ)	> 0.95	
Input current	0.2 A max.	
No-load loss	≤ 0.5 W	
Output voltage	12 Vdc	
Inrush current	18.6 A max.	
Output current	0...2.5 A	
Output power (nominal)	30 W max.	
Efficiency	≥ 85 %	
Life time	> 50,000 h	
Dimmable	No	

Operating condition

Operating temperature range (t_a)	-20...+45 °C	
Max. Surface temperature (t_c)	75 °C	
Permitted rel. humidity	20...90 %	
Protection class	II	
Type of protection	IP20	

Protection

Short circuit protection	Yes *	
Overload protection	Yes *	105...150 %
Overvoltage protection	Yes *	> 12.6 Vdc
Overheating protection	Yes *	

(*) The output shuts off and will be resumed, after problem is removed and led driver is restarted.

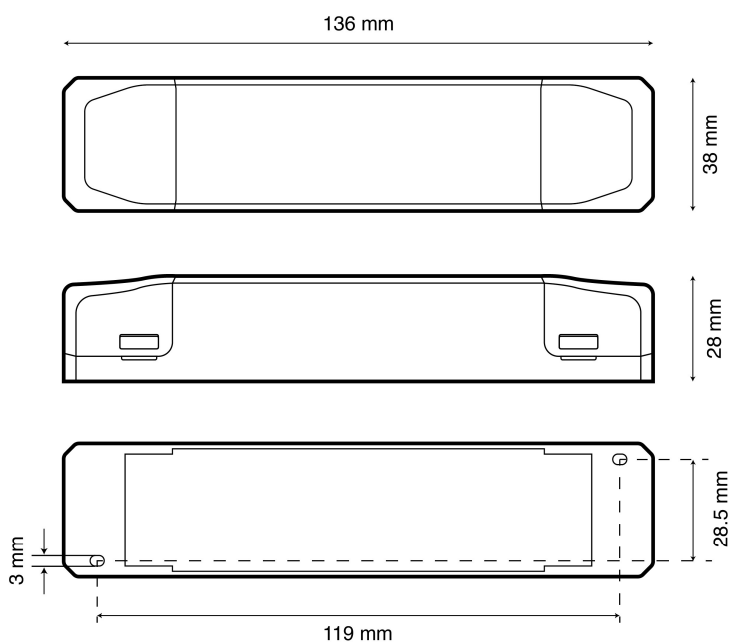
Standards

Standards	EN 61347-1, EN 61347-2-13 EN 61547, EN 55015 EN 61000-3-2, EN 61000-3-3	
Marking	CE, UKCA	
RoHS compliant	Yes	

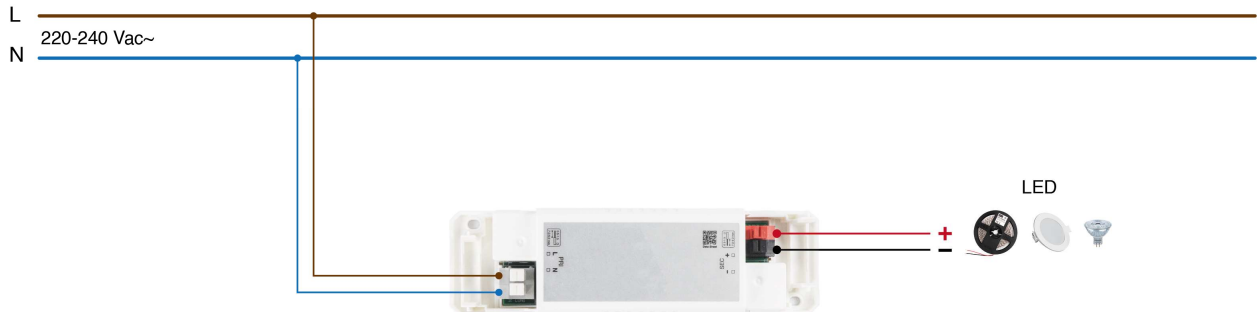
Installation

Type of installation	Independent installation	
Type of connection	Spring-loaded terminal	
Cable cross-section, input side	0.5...1.5 mm ²	
Cable cross-section, output side	0.5...1.5 mm ²	
Cable preparation length, input side	7.0...9.0 mm	
Cable preparation length, output side	7.0...9.0 mm	
Circuit breaker (230V)	10A Type B: 31 pc. 16A Type B: 49 pc. 20A Type B: 62 pc.	10A Type C: 40 pc. 16A Type C: 64 pc. 20A Type C: 80 pc.

Dimension



Connection



Important notice

Download the safety instructions at www.illuburg.de/infocenter, read them carefully and observe the listed instructions and information for proper use.

Disclaimer of liability

Subject to changes and errors excepted. Make sure you are using the latest version.

Manufacturer Information

If you have any further questions, please contact our technical support.

HuaTec GmbH
Droopweg 31
20537, Hamburg, Germany

Telefon: +49 40 236448800
E-Mail: info@illuburg.de
Website: www.illuburg.de

