

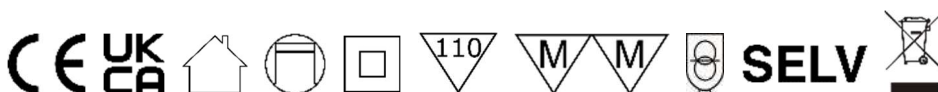
# Datasheet & Operating instructions

## Model:LS-60V12E

LED power supply for 12 Vdc constant voltage

5 A(60W) max., IP20, independent installation, non-dimmable

Flicker free according to IEEE 1789



### Exploded view



## Electrical data

Rated input voltage	220...240 Vac	
Range of input voltage	198...264 Vac	
Range of input voltage (DC)	176...280 Vac	
Mains frequency	50/60 Hz	
Power factor ( $\lambda$ )	$\geq 0.95$	
Input current	0.39 A max.	
No-load loss	$\leq 0.5$ W	
Inrush current	43.8 A max.	
Output voltage	12 Vdc	
Output current	0...5 A	
Output power (nominal)	60 W max.	
Efficiency	$\geq 88$ %	
Life time	> 50,000 h	$T_c=90$ °C
Dimmable	No	

## Operating condition

Operating temperature range ( $t_a$ )	-20...+45 °C	
Max. Surface temperature ( $t_c$ )	90 °C	
Permitted rel. humidity	20...90 %	
Protection class	II	
Type of protection	IP20	

## Protection

Short circuit protection	Yes *	
Overload protection	Yes *	105...150 %
Overvoltage protection	Yes *	>12.6 Vdc
Overheating protection	Yes *	

(\*) The output shuts off and will be resumed, after problem is removed and led driver is restarted.

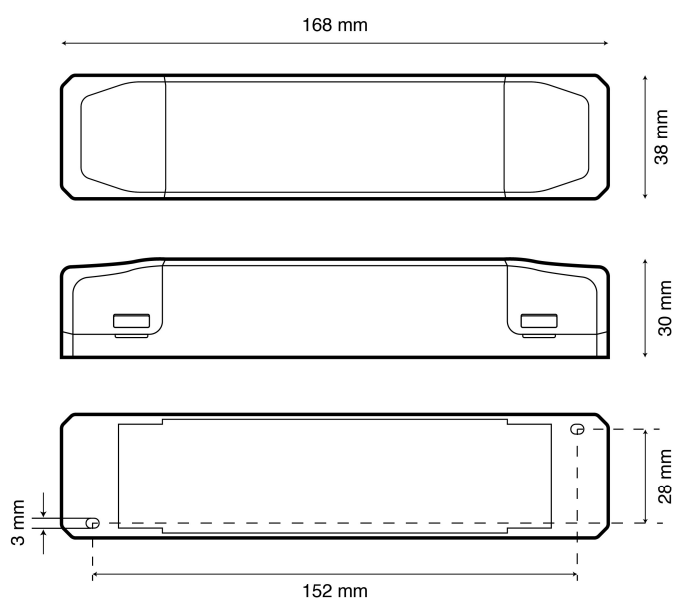
## Standards

<b>Standards</b>	EN 61347-1, EN 61347-2-13 EN 55015, EN 61547 EN 61000-3-2, EN 61000-3-3	
<b>Marking</b>	CE, UKCA	
<b>RoHS compliant</b>	Yes	

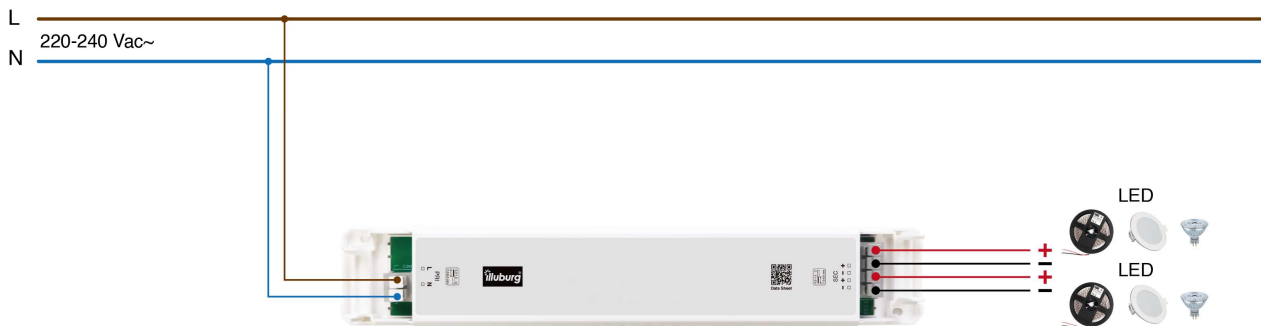
## Installation

<b>Type of installation</b>	Independent installation	
<b>Type of connection</b>	Spring-loaded terminal	
<b>Cable cross-section, input side</b>	0.5...1.5 mm <sup>2</sup>	
<b>Cable cross-section, output side</b>	0.5...1.5 mm <sup>2</sup>	
<b>Cable preparation length, input side</b>	7.0...9.0 mm	
<b>Cable preparation length, output side</b>	7.0...9.0 mm	
<b>Circuit breaker (230V)</b>	10A Type B: 9 pc. 16A Type B: 14 pc. 20A Type B: 18 pc.	10A Type C: 15 pc. 16A Type C: 24 pc. 20A Type C: 31 pc.

## Dimension



## Connection



## Important notice

Download the safety instructions at [www.illuburg.de/infocenter](http://www.illuburg.de/infocenter), read them carefully and observe the listed instructions and information for proper use.

## Disclaimer of liability

Subject to changes and errors excepted. Make sure you are using the latest version.

## Manufacturer Information

If you have any further questions, please contact our technical support.

HuaTec GmbH  
Droopweg 31  
20537, Hamburg, Germany

Telefon: +49 40 236448800  
E-Mail: [info@illuburg.de](mailto:info@illuburg.de)  
Website: [www.illuburg.de](http://www.illuburg.de)

