

Datasheet & Operating instructions

Model: LS7-40V24Y

LED power supply for 24 Vdc constant voltage

1.66 A (40 W) max., IP67, independent installation, non-dimmable

Flicker free according to IEEE 1789



Electrical data

Rated input voltage	220...240 Vac	
Range of input voltage	198...264 Vac	
Mains frequency	50/60 Hz	
Power factor (λ)	≥ 0.9	Full Load, 220...240 Vac
Input current	0.3 A max.	Full Load, 220...240 Vac
No-load loss	≤ 0.5 W	
Output voltage	24 Vdc	
Output current	0...1.66 A	
Output power (nominal)	40 W max.	
Efficiency	≥ 84 %	Full Load ,230 Vac
Life time	> 30,000 h	
Dimmable	No	

Operating condition

Operating temperature range (t_a)	-20...+45 °C
Max. Surface temperature (t_c)	85 °C
Permitted rel. humidity	20...90 %
Protection class	II
Type of protection	IP67

Protection

Short circuit protection	Yes *
Overload protection	Yes *
Overheating protection	Yes *

(*) The output shuts off and will be resumed, after problem is removed and led driver is restarted.

Standards

Standards	EN 61347-1, EN 61347-2-13 EN 62493, EN 55015, EN 61547 EN 61000-3-2, EN 61000-3-3 EN 61000-4-2, EN 61000-4-5
Marking	CE, UKCA
RoHS compliant	Yes

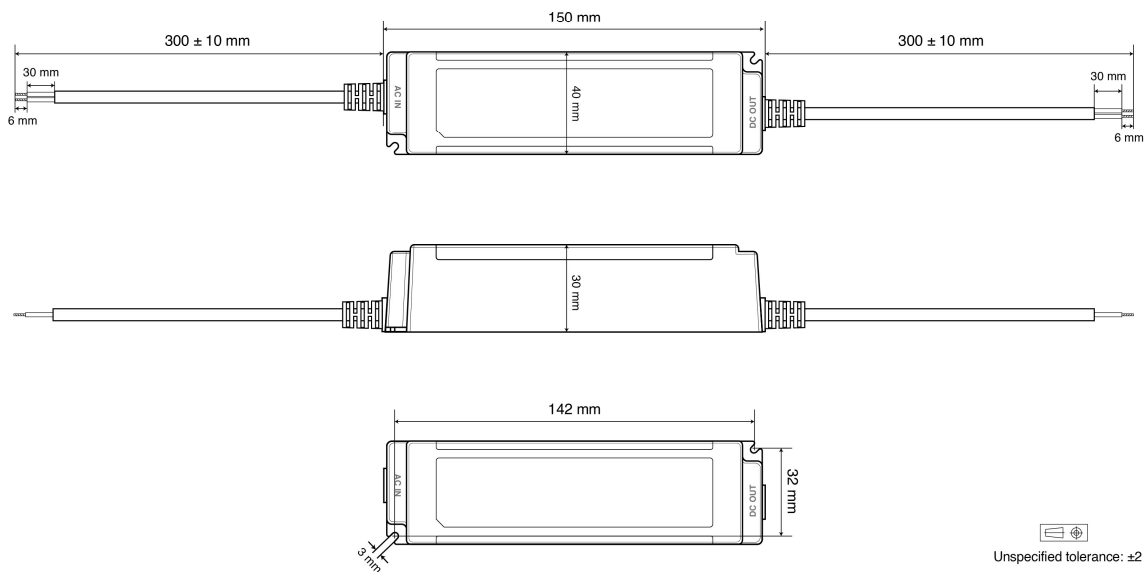
Installation

Cable length, input side	300 ± 10 mm
Cable length, output side	300 ± 10 mm
Cable cross-section, input side	2 x 0.75 mm ²
Cable cross-section, output side	2 x 22 AWG
Cable preparation length, input side	6 mm tinned
Cable preparation length, output side	6 mm tinned

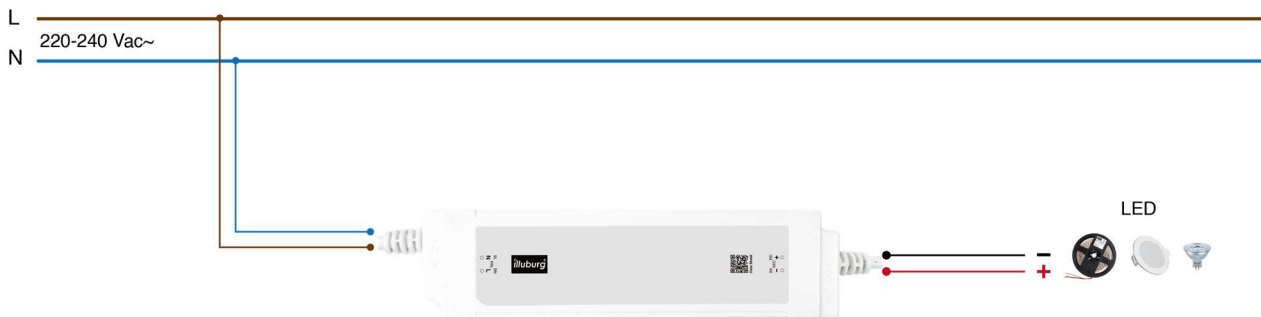
Dimension

AC INPUT (2 x 0.75 MM²)
BROWN (L)
BLUE (N)

DC OUTPUT (20 AWG)
RED (+)
BLACK (-)



Connection



Important notice

Download the safety instructions at www.illuburg.de/infocenter, read them carefully and observe the listed instructions and information for proper use.

Disclaimer of liability

Subject to changes and errors excepted. Make sure you are using the latest version.

Manufacturer Information

If you have any further questions, please contact our technical support.

HuaTec GmbH
Droopweg 31
20537, Hamburg, Germany

Telefon: +49 40 236448800
E-Mail: info@illuburg.de
Website: www.illuburg.de

