

Datasheet & Operating instructions

Model: LS7-60V12Y

LED power supply for 12 Vdc constant voltage
5 A (60 W) max., IP67, independent installation, non-dimmable
Flicker free according to IEEE 1789



Electrical data

| | | |
|--|---------------|--------------------------|
| Rated input voltage | 220...240 Vac | |
| Range of input voltage | 198...264 Vac | |
| Mains frequency | 50/60 Hz | |
| Power factor (λ) | ≥ 0.9 | Full Load, 220...240 Vac |
| Input current | 0.4 A max. | Full Load, 220...240 Vac |
| No-load loss | ≤ 0.5 W | |
| Inrush current | 100 A max. | |
| Leakage current | < 0.25 mA | |
| Output voltage | 12 Vdc | |
| Output current | 0...5 A | |
| Output power (nominal) | 60 W max. | |
| Efficiency | ≥ 86 % | Full Load ,230 Vac |
| Life time | $> 30,000$ h | |
| Dimmable | No | |

Operating condition

| | |
|---|--------------|
| Operating temperature range (t_a) | -20...+45 °C |
| Max. Surface temperature (t_c) | 85 °C |
| Permitted rel. humidity | 20...90 % |
| Protection class | II |
| Type of protection | IP67 |

Protection

| | |
|---------------------------------|-------|
| Short circuit protection | Yes * |
| Overload protection | Yes * |
| Overheating protection | Yes * |

(*) The output shuts off and will be resumed, after problem is removed and led driver is restarted.

Standards

| | |
|-----------------------|---|
| Standards | EN 61347-1, EN 61347-2-13 EN 60598-1, EN 55015, EN 61547 EN 61000-3-2, EN 61000-3-3 |
| Marking | CE, UKCA |
| RoHS compliant | Yes |

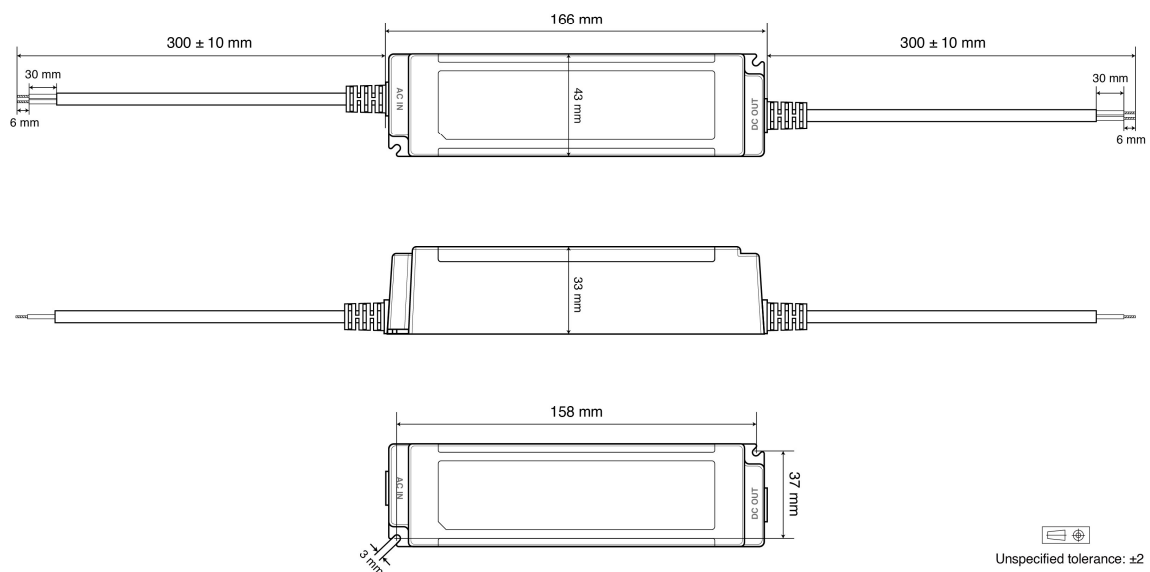
Installation

| | | |
|--|--|--|
| Cable length, input side | 300 ± 10 mm | |
| Cable length, output side | 300 ± 10 mm | |
| Cable cross-section, input side | 2 x 0.75 mm ² | |
| Cable cross-section, output side | 2 x 18 AWG | |
| Cable preparation length, input side | 6 mm tinned | |
| Cable preparation length, output side | 6 mm tinned | |
| Circuit breaker (230V) | 16A Type B: 5 pc. 20A Type B: 6 pc. | 16A Type C: 8 pc. 20A Type C: 8 pc. |

Dimension

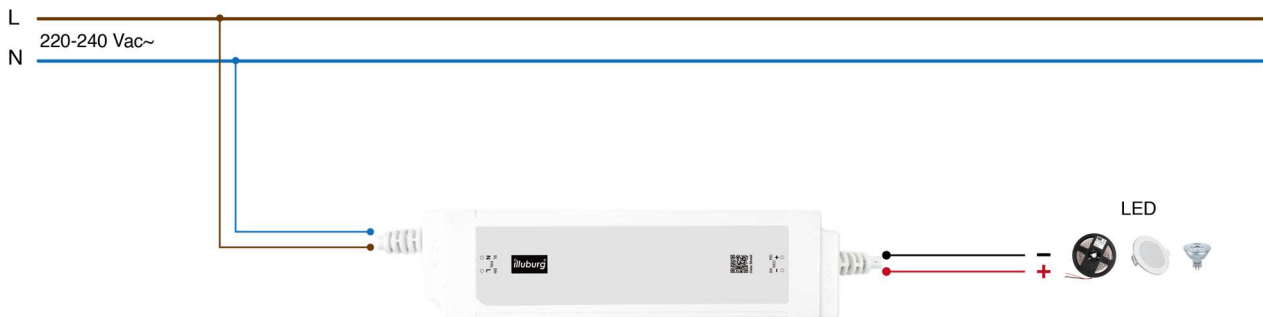
AC INPUT (2 x 0.75 MM²)
BROWN (L)
BLUE (N)

DC OUTPUT (20 AWG)
RED (+)
BLACK (-)



Unspecified tolerance: ±2

Connection



Important notice

Download the safety instructions at www.illuburg.de/infocenter, read them carefully and observe the listed instructions and information for proper use.

Disclaimer of liability

Subject to changes and errors excepted. Make sure you are using the latest version.

Manufacturer Information

If you have any further questions, please contact our technical support.

HuaTec GmbH
Droopweg 31
20537, Hamburg, Germany

Telefon: +49 40 236448800
E-Mail: info@illuburg.de
Website: www.illuburg.de



www.illuburg.de