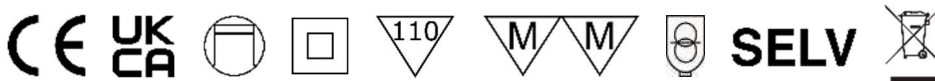
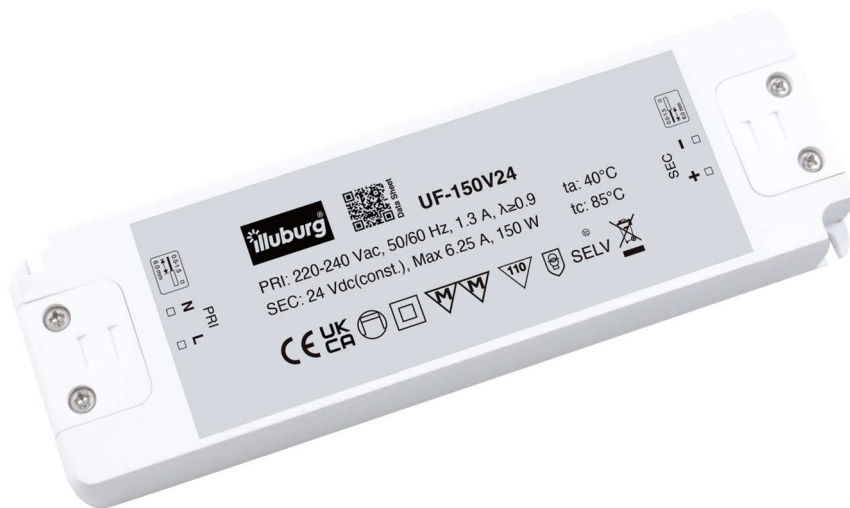


# Datasheet & Operating instructions

## Model: UF-150V24

LED power supply for 24 Vdc constant voltage  
6.25 A (150 W) max., IP20, independent installation, non-dimmable  
Flicker-free according to IEEE 1789



## Exploded view



## Electrical data

Rated input voltage	220...240 Vac	
Range of input voltage	198...264 Vac	
Mains frequency	50/60 Hz	
Power factor ( $\lambda$ )	$\geq 0.9$	Full Load, 220...240 Vac
Input current	1.3 A max.	Full Load, 220...240 Vac
No-load loss	$\leq 0.5$ W	
Inrush current	52.8 A max.	
Output voltage	24 Vdc	
Output current	0...6.25 A	
Output power (nominal)	150 W max.	
Efficiency	$\geq 89$ %	Full Load, 220...240 Vac
Lifetime	> 30,000 h	
Dimmable	No	

## Operating condition

Operating temperature range ( $t_a$ )	-20...+40 °C
Max. Surface temperature ( $t_c$ )	85 °C
Permitted rel. humidity	20...90 %
Protection class	II
Type of protection	IP20

## Protection

Short circuit protection	Yes *
Overload protection	Yes *
Overheating protection	Yes *

(\*) The output shuts off and will be resumed, after problem is removed and led driver is restarted.

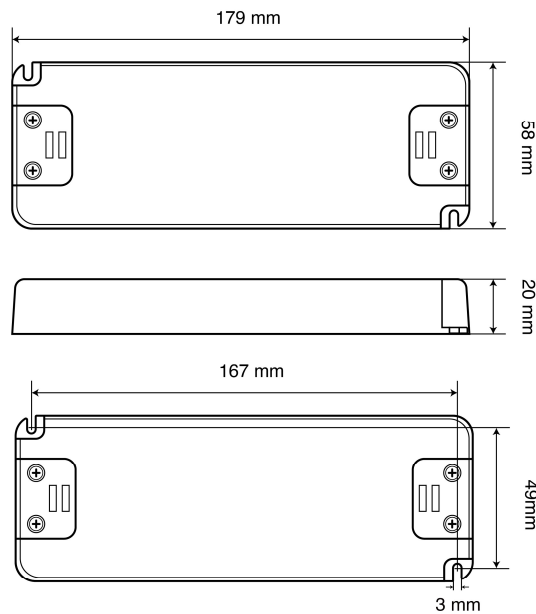
## Standards

<b>Standards</b>	EN 61347-1, EN 61347-2-13 EN 62493, EN 55015, EN 61547 EN 61000-3-2, EN 61000-3-3
<b>Marking</b>	CE, UKCA
<b>RoHS compliant</b>	Yes

## Installation

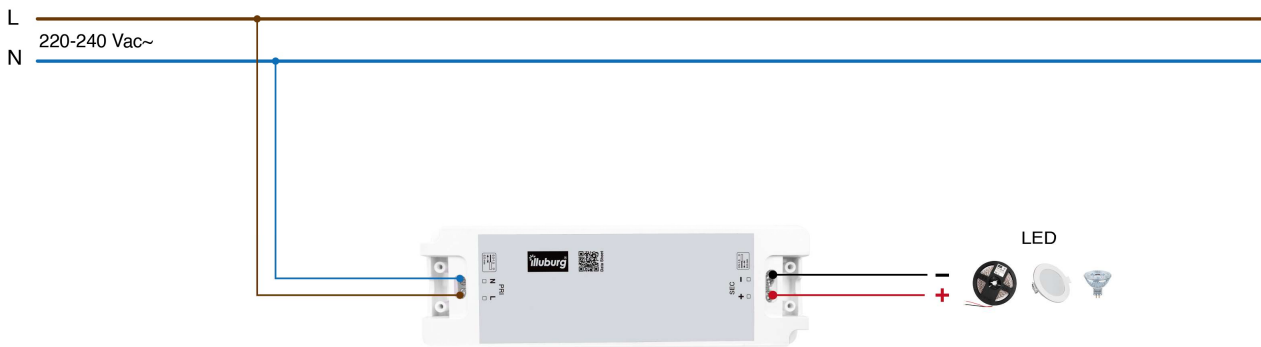
<b>Type of installation</b>	Independent installation	
<b>Type of connection</b>	Screw terminal	
<b>Cable cross-section, input side</b>	0.5...1.5 mm <sup>2</sup>	
<b>Cable cross-section, output side</b>	0.5...1.5 mm <sup>2</sup>	
<b>Cable preparation length, input side</b>	7.0...9.0 mm	
<b>Cable preparation length, output side</b>	7.0...9.0 mm	
<b>Circuit breaker (230V)</b>	16A Type B: 2 pc. 20A Type B: 3 pc.	16A Type C: 3 pc. 20A Type C: 4 pc.

## Dimension



Unspecified tolerance: ±2

## Connection



## Important notice

Download the safety instructions at [www.illuburg.de/infocenter](http://www.illuburg.de/infocenter), read them carefully and observe the listed instructions and information for proper use.

## Disclaimer of liability

Subject to changes and errors excepted. Make sure you are using the latest version.

## Manufacturer Information

If you have any further questions, please contact our technical support.

HuaTec GmbH  
Droopweg 31  
20537, Hamburg, Germany

Telefon: +49 40 236448800  
E-Mail: [info@illuburg.de](mailto:info@illuburg.de)  
Website: [www.illuburg.de](http://www.illuburg.de)

