

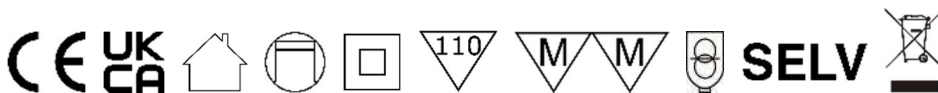
# Datasheet & Operating instructions

## Model: US-100V48G1

LED power supply for 48 Vdc constant voltage

2.1 A (100 W) max., IP20, independent installation, non-dimmable

Flicker free according to IEEE 1789



### Exploded view



## Electrical data

<b>Rated input voltage</b>	220...240 Vac	
<b>Range of input voltage</b>	176...264 Vac	
<b>Mains frequency</b>	50/60 Hz	
<b>Power factor (<math>\lambda</math>)</b>	$\geq 0.95$	220...240 Vac
<b>Input current</b>	0.6 A max.	
<b>No-load loss</b>	$\leq 0.5$ W	230 Vac
<b>Inrush current</b>	45 A max.	
<b>Leakage current</b>	$< 250$ $\mu$ A	
<b>Output voltage</b>	48 Vdc	
<b>Output current</b>	0...2.1 A	
<b>Output power (nominal)</b>	100 W max.	
<b>Efficiency</b>	$\geq 90$ %	
<b>Life time</b>	$> 100,000$ h	
<b>Dimmable</b>	No	

## Operating condition

<b>Operating temperature range (<math>t_a</math>)</b>	-25...+45 °C	
<b>Max. Surface temperature (<math>t_c</math>)</b>	90 °C	
<b>Protection class</b>	II	
<b>Type of protection</b>	IP20	

## Protection

<b>Short circuit protection</b>	Yes *	
<b>Overcurrent protection</b>	Yes *	120...180 %
<b>Overvoltage protection</b>	Yes *	110...150 %
<b>Overheating protection</b>	Yes *	$90 < T_c < 110$ °C

(\*) The output shuts off and will be resumed, after problem is removed and led driver is restarted.

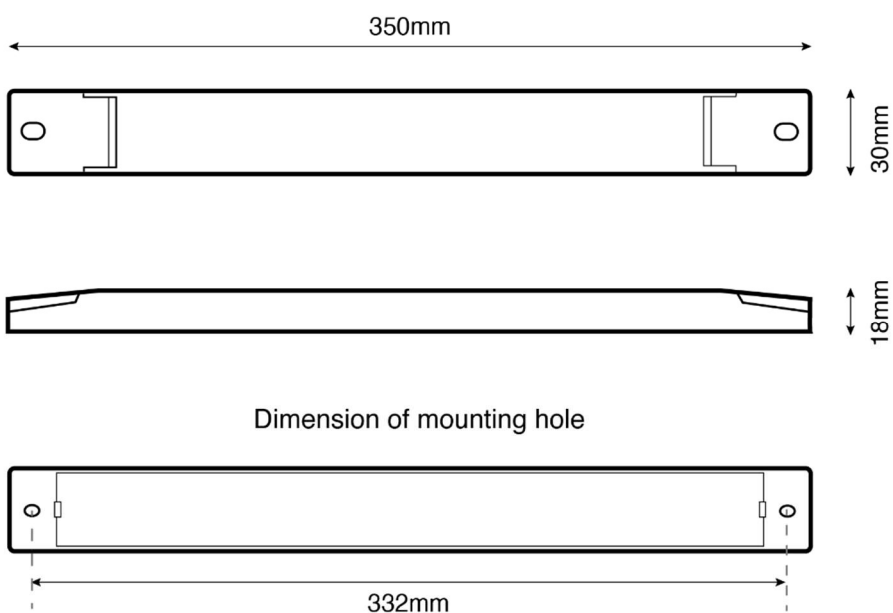
## Standards

<b>Standards</b>	EN 61347-1, EN 61347-2-13 EN 62384, EN 55015, EN 61547 EN 61000-3-2, EN 61000-3-3
<b>Marking</b>	CE, UKCA
<b>RoHS compliant</b>	Yes

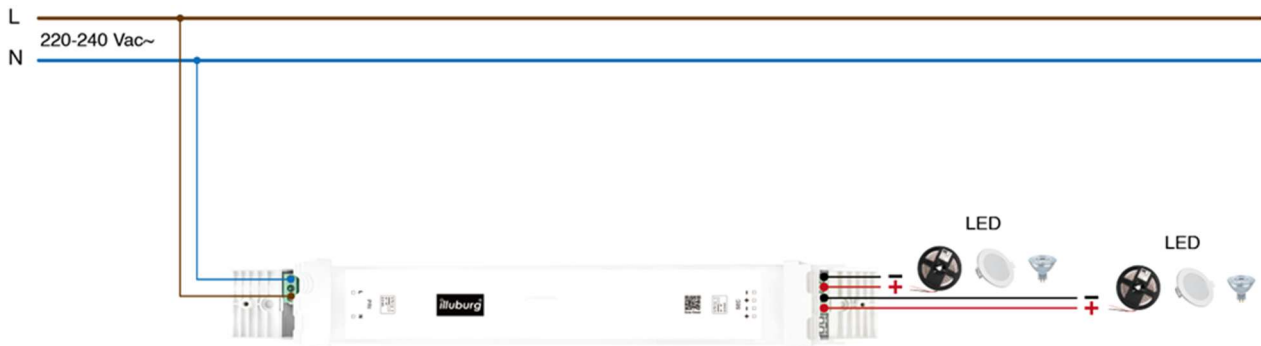
## Installation

<b>Type of installation</b>	Independent installation	
<b>Type of connection</b>	Screw terminal	
<b>Cable cross-section, input side</b>	0.75...1.5 mm <sup>2</sup>	
<b>Cable cross-section, output side</b>	0.75...1.5 mm <sup>2</sup>	
<b>Cable preparation length, input side</b>	6.0 mm	
<b>Cable preparation length, output side</b>	6.0 mm	
<b>Circuit breaker (230V)</b>	10A Type B: 13 pc. 16A Type B: 21 pc. 20A Type B: 27 pc.	10A Type C: 21 pc. 16A Type C: 34 pc. 20A Type C: 43 pc.

## Dimension



## Connection



## Important notice

Download the safety instructions at [www.illuburg.de/infocenter](http://www.illuburg.de/infocenter), read them carefully and observe the listed instructions and information for proper use.

## Disclaimer of liability

Subject to changes and errors excepted. Make sure you are using the latest version.

## Manufacturer Information

If you have any further questions, please contact our technical support.

HuaTec GmbH  
Droopweg 31  
20537, Hamburg, Germany

Telefon: +49 40 236448800  
E-Mail: [info@illuburg.de](mailto:info@illuburg.de)  
Website: [www.illuburg.de](http://www.illuburg.de)

