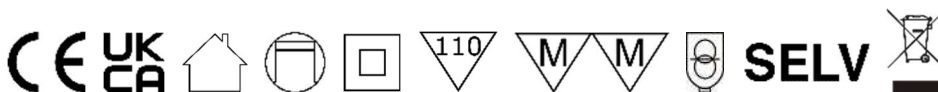


Datasheet & Operating instructions

Model: LS-80V24E-DALI2

LED power supply for 24 Vdc constant voltage
3.33 A (80 W) max., IP20, independent installation
dimmable with DALI, PUSH (pri.)
Flicker free according to IEEE 1789



Electrical data

Rated input voltage	220...240 Vac	
Range of input voltage	198...264 Vac	
Range of input voltage (DC)	176...280 Vdc	
Mains frequency	50/60 Hz	
Power factor (λ)	0.95	Full Load, 230 Vac
Input current	0.52 A max.	Full Load, 198 Vac
Inrush current	31 A max.	
Output voltage	24 Vdc	
Output current	0...3.33 A	
Output power (nominal)	80 W max.	
Efficiency	$\geq 89\%$	Full Load, 230 Vac
Standby Power	< 0.5 W	
Life time	> 50,000 h	Tc=85°C, Vollast
Dimming	DALI-2 (1-100%) PUSH (pri.) (1-100%)	

Operating condition

Operating temperature range (t_a)	-20...+45 °C
Max. Surface temperature (t_c)	85 °C
Permitted rel. humidity	20...90 %
Protection class	II
Type of protection	IP20

Protection

Short circuit protection	Yes *	
Overload protection	Yes *	105...150 %
Overvoltage protection	Yes	
Overheating protection	Yes *	

(*) The output switches off and recovers automatically once the problem is resolved.

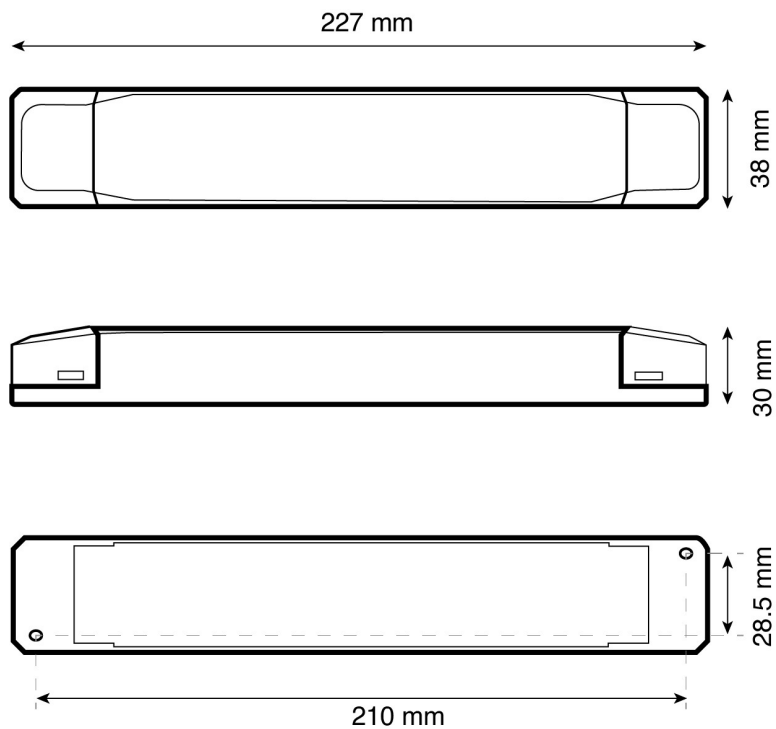
Standards

Standards	EN 61347-1, EN 61347-2-13 EN 62384, EN 55015, EN 61547 EN 61000-3-2, EN 61000-3-3 EN 62493
Dali Standard (DT-6)	EN 62386-101, EN 62386-102, EN 62386-207 (including part251,252,253)
Marking	CE, UKCA

Installation

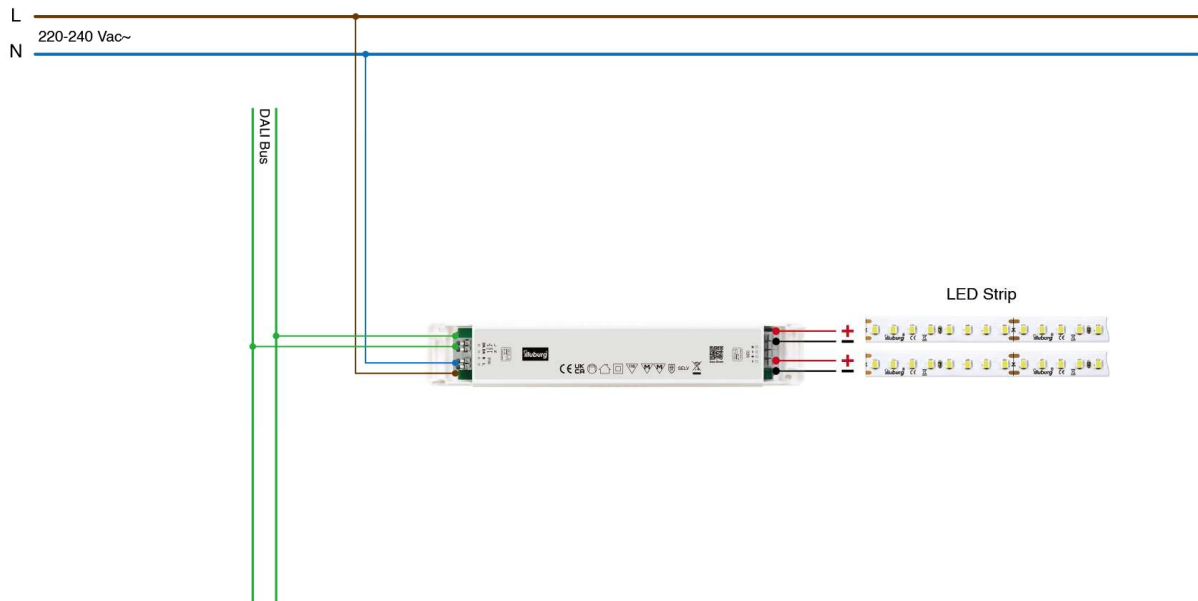
Type of installation	Independent installation	
Type of connection	Spring-loaded terminal	
Cable cross-section, input side	0.5...1.5 mm ²	
Cable cross-section, output side	0.5...1.5 mm ²	
Cable preparation length, input side	7.0...9.0 mm	
Cable preparation length, output side	7.0...9.0 mm	
Circuit breaker (230V)	10A Type B: 16 pc. 16A Type B: 27 pc. 20A Type B: 33 pc.	10A Type C: 26 pc. 16A Type C: 42 pc. 20A Type C: 53 pc.

Dimension

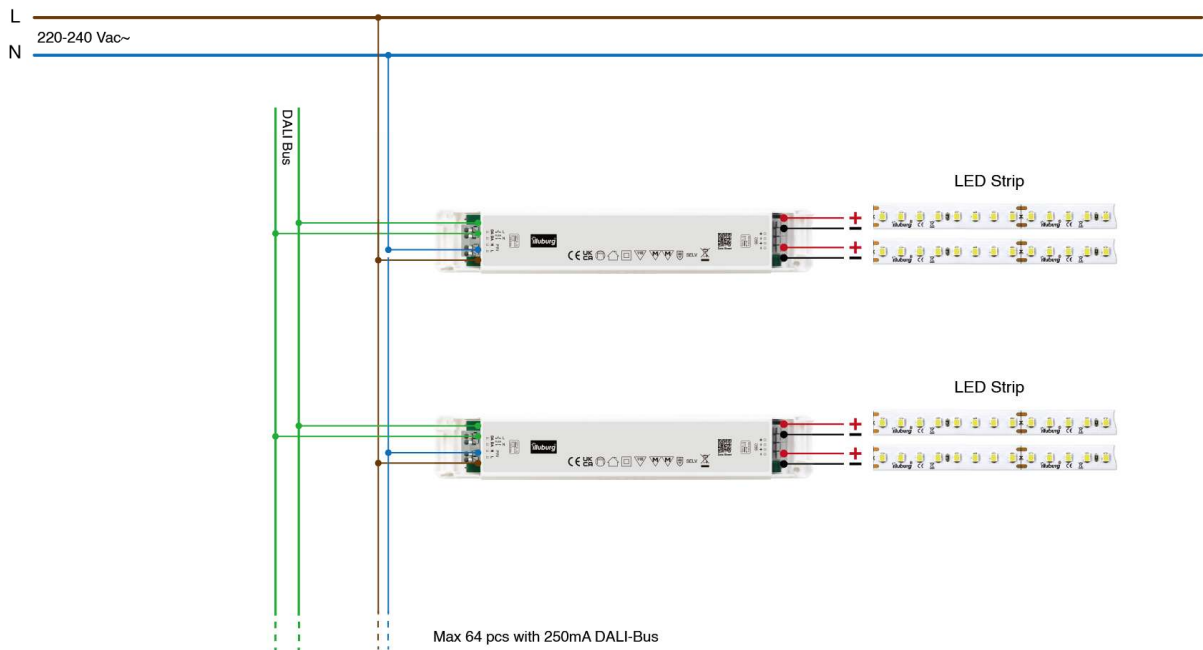


Connection

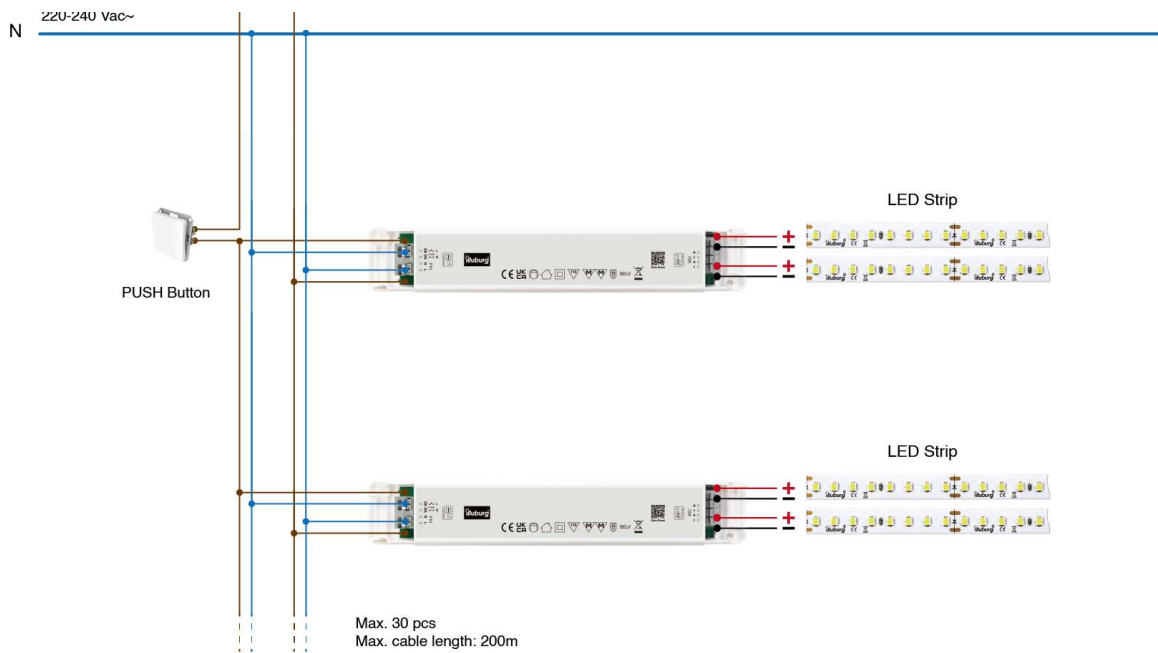
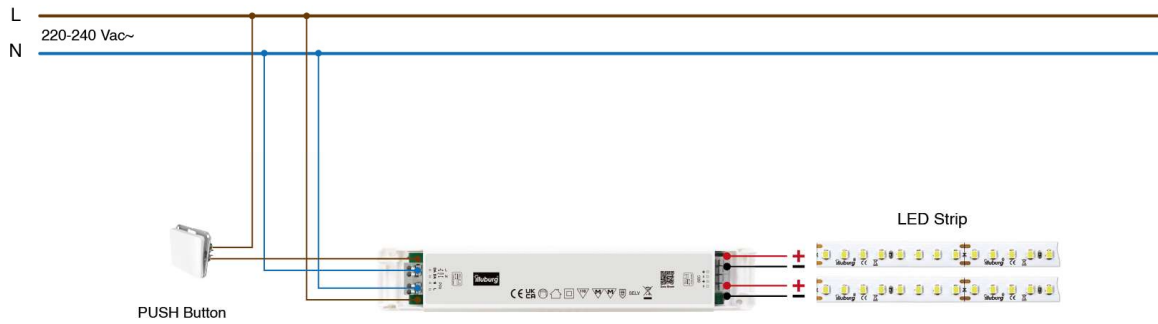
DALI Dimming (single)



DALI Dimming (parallel)



Primary side PUSH Dimming (single)



Control via PUSH Button

Status	Action	Duration	Function
LED on	Click once	< 0.5 s	Turn off LED drivers
LED off			Turn on LED drivers with last brightness setting
LED on	Press and hold	0.5-14 s	Dim brightness up / down. The dimming direction changes each time the button is pressed
LED on		> 15 s	Synchronize all LED drivers with 100 % brightness*
LED off		> 0.5 s	Turn on and synchronize all LED drivers with 5 % brightness*

* In case of parallel connection with multiple LED power supplies using single PUSH button

Important notice

Download the safety instructions at www.illuburg.de/infocenter, read them carefully and observe the listed instructions and information for proper use.

Disclaimer of liability

Subject to changes and errors excepted. Make sure you are using the latest version.

Manufacturer Information

If you have any further questions, please contact our technical support.

HuaTec GmbH
Droopweg 31
20537, Hamburg, Germany

Telefon: +49 40 236448800
E-Mail: info@illuburg.de
Website: www.illuburg.de

