

# Datasheet & Operating instructions

## Model: IC60

PIR motion sensor with ON/OFF function  
 Detection range, duty cycle, ambient brightness adjustable  
 IP20, built-in installation



### Exploded view



## Electrical data

<b>Rated input voltage</b>	220...240 Vac	
<b>Range of input voltage</b>	198...264 Vac	
<b>Mains frequency</b>	50/60 Hz	
<b>No-load loss</b>	N/A	
<b>Working mode</b>	ON/OFF function	
<b>Rated load</b>	400 W	LED / Inductive load
	800 W	Resistive load
<b>Duty cycle</b>	5/60/180/300/600/1800 s	Set via DIP switch
<b>Detection range</b>	100/75/50/25 %	Set via DIP switch
<b>Ambient brightness</b>	50 lux/deactivated	Set via DIP switch
<b>Detection radius</b>	2.5...4 m	
<b>Detection angle</b>	90 °	
<b>Mounting height</b>	2,5...6 m	
<b>Life time</b>	> 30,000 h	
<b>Dimming interface</b>	N/A	
<b>Dimming mode</b>	N/A	

## Operating condition

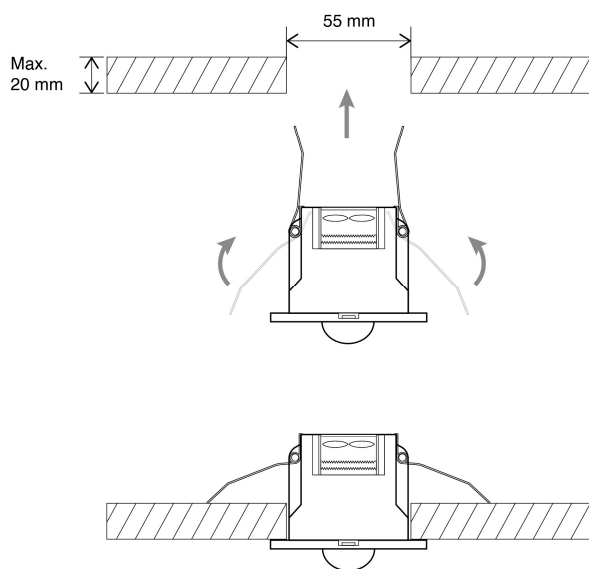
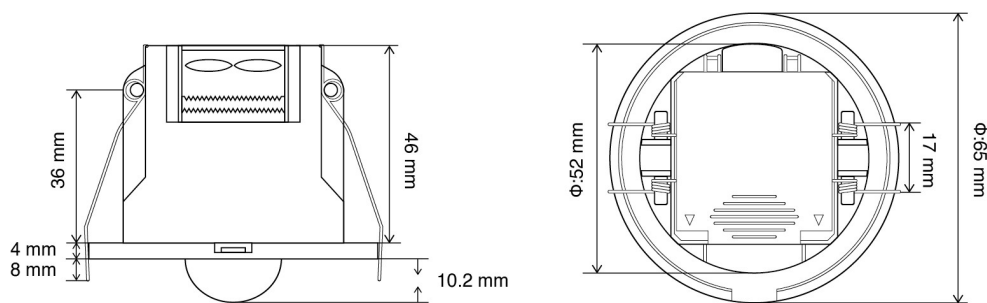
<b>Operating temperature range (ta)</b>	-25...+50 °C
<b>Protection class</b>	II
<b>Type of protection</b>	IP20

## Standards & Certificates

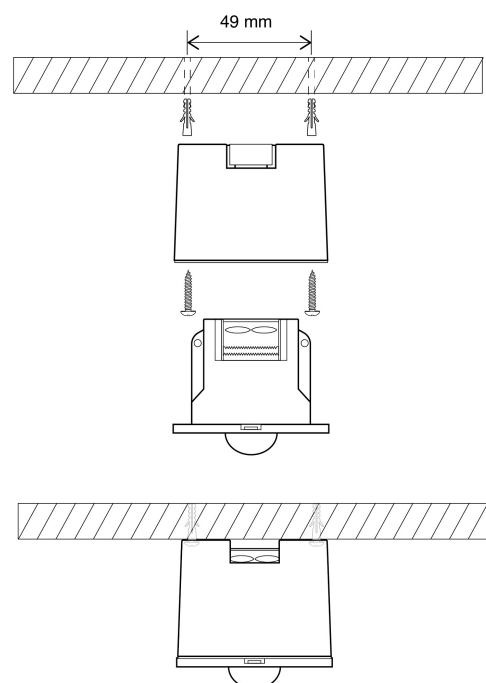
<b>Standards</b>	EN 55015, EN 61547 EN 61000-3-2, EN 61000-3-3 EN 60669-1, EN 60669-2-1
<b>Approval marks</b>	CE, UKCA
<b>RoHS compliant</b>	Yes

## Dimension & Installation

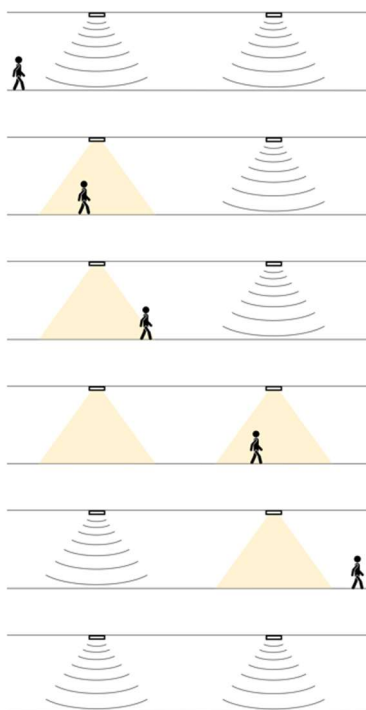
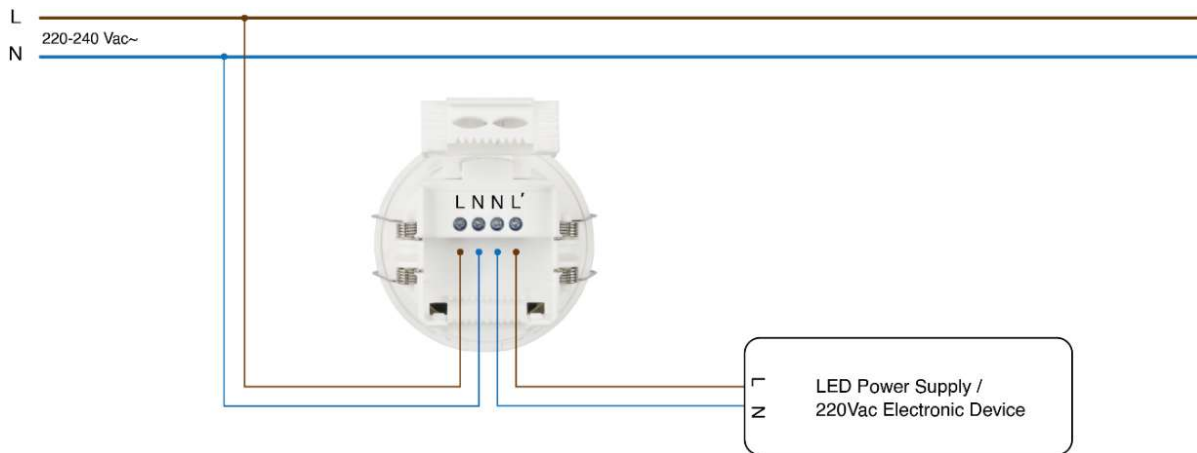
Type of installation	Built-in installation
Type of connection	Screw terminal
Cable cross-section, input side	0.75...1.5 mm <sup>2</sup>
Cable cross-section, output side	0.75...1.5 mm <sup>2</sup>
Cable preparation length, input side	6...8 mm
Cable preparation length, output side	6...8 mm



Flush-mounted installation  
with spring clamp



Surface-mounted installation  
with surface-mounted housing T01



1. The motion sensor monitors its detection range constantly.
2. The electrical device (light) switches on when motion is detected.
3. As soon as the last movement is detected, the measurement of the duty cycle starts.
4. The use of multiple motion sensors increases the detection area.
5. If no movement is detected by the end of the duty cycle, the electrical device (light) switches off.

**Detection Range**

	1	2
100 %	ON	ON
75 %	-	ON
50 %	ON	-
25 %	-	-

The detection range can be adjusted proportionally by DIP-switch (1, 2) from 25 % to 100 %.

### Duty Cycle

	3	4	5
5 s	ON	ON	ON
60 s	-	ON	ON
180 s	ON	-	ON
300 s	-	-	ON
600 s	ON	ON	-
1800 s	-	-	-

The duty cycle can be adjusted by DIP switch (3, 4) from 5 seconds to 10 minutes.

### Ambient Brightness

	6
50 lux	ON
deaktiviert	-

The sensor is activated, as the ambient brightness drops below the threshold. The brightness can be adjusted by DIP switch (6) to 50 lux, or also be deactivated.

## Important notice

Download the safety instructions at [www.illuburg.de/infocenter](http://www.illuburg.de/infocenter), read them carefully and observe the listed instructions and information for proper use.

## Disclaimer of liability

Subject to changes and errors excepted. Make sure you are using the latest version.

## Manufacturer Information

If you have any further questions, please contact our technical support.

HuaTec GmbH  
Droopweg 31  
20537, Hamburg, Germany

Telefon: +49 40 236448800  
E-Mail: [info@illuburg.de](mailto:info@illuburg.de)  
Website: [www.illuburg.de](http://www.illuburg.de)

