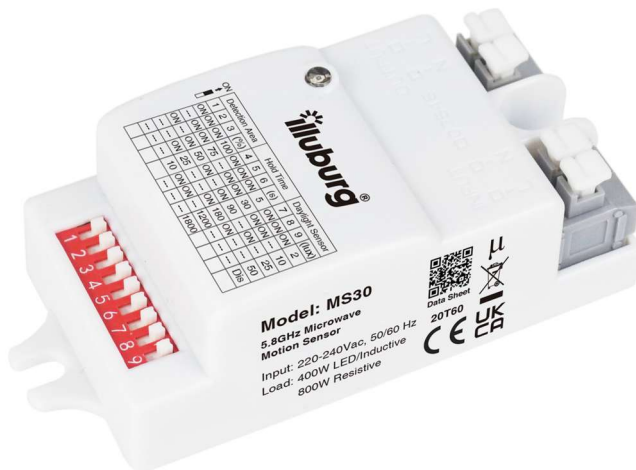


Datasheet & Operating instructions

Model: MS30

5.8 GHz microwave motion sensor with ON/OFF function
 Detection range, duty cycle, ambient brightness adjustable
 IP20, built-in installation



Electrical data

Rated input voltage	220...240 Vac	
Range of input voltage	198...264 Vac	
Mains frequency	50/60 Hz	
No-load loss	N/A	
Working mode	ON/OFF function	
Operating frequency	5.8 GHz	
Rated load	400 W	LED / Inductive load
	800 W	Resistive load
Duty cycle	5/30/90/180/1200/1800 s	Set via DIP switch
Detection range	100/75/50/25/10 %	Set via DIP switch
Ambient brightness	2/10/25/50 lux/deactivated	Set via DIP switch
Detection radius	4...6 m	
Detection angle	150 °	
Mounting height	6 m max.	
Life time	> 50,000 h	
Dimming interface	N/A	
Dimming mode	N/A	

Operating condition

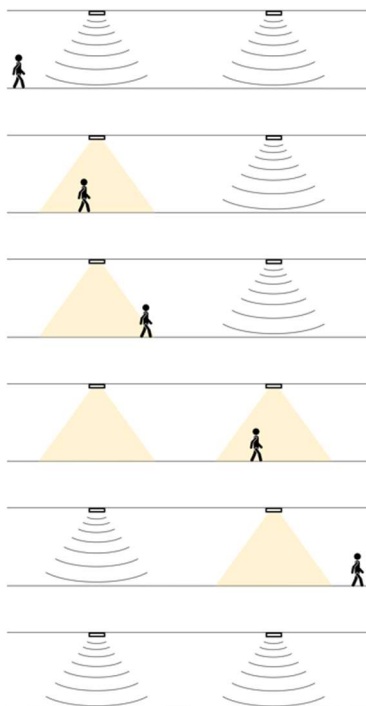
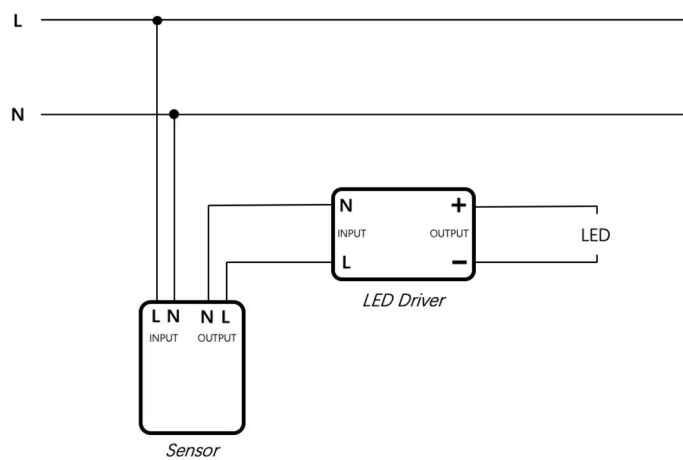
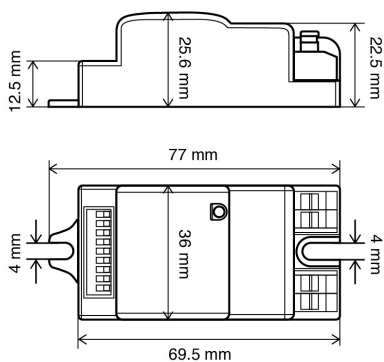
Operating temperature range (ta)	-20...+60 °C
Protection class	II
Type of protection	IP20

Standards & Certificates

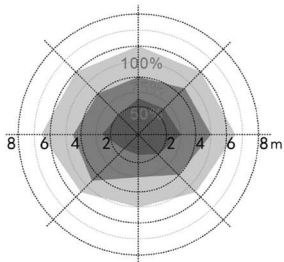
Standards	EN 55015, EN 61547 EN 61000-3-2, EN 61000-3-3 EN 61058-1, EN 61058-1-2 EN 301489-1, EN 301489-3
Standards (RED)	EN 300440 V2.1.1, EN 300440 V2.2.1
Approval marks	CE, UKCA, RED
RoHS compliant	Yes

Dimension & Installation

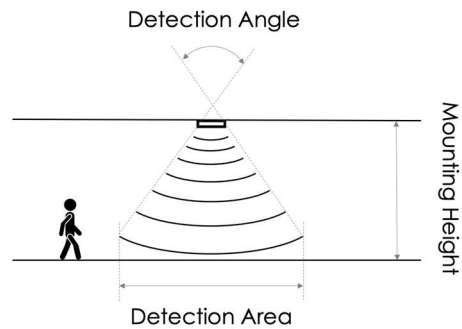
Type of installation	Built-in installation
Type of connection	Spring-loaded terminal
Cable cross-section, input side	0.75...1.5 mm ²
Cable cross-section, output side	0.75...1.5 mm ²
Cable preparation length, input side	6...8 mm
Cable preparation length, output side	6...8 mm



1. The motion sensor monitors its detection range constantly.
2. The electrical device (light) switches on when motion is detected.
3. As soon as the last movement is detected, the measurement of the duty circle starts.
4. The use of multiple motion sensors increases the detection area.
5. If no movement is detected by the end of the duty circle, the electrical device (light) switches off.



Detection Area



Detection Range

	1	2	3
100 %	ON	ON	ON
75 %	-	ON	ON
50 %	ON	-	ON
25 %	-	-	ON
10 %	-	-	-

The detection range can be adjusted proportionally by DIP-switch (1, 2, 3) from 10 % to 100 %.

Duty Cycle

	4	5	6
5 s	ON	ON	ON
30 s	-	ON	ON
90 s	ON	-	ON
180 s	-	-	ON
1200 s	ON	ON	-
1800 s	-	-	-

The duty cycle can be adjusted by DIP switch (4, 5, 6) from 5 seconds to 30 minutes.

Ambient Brightness

	7	8	9
2 lux	ON	ON	ON
10 lux	ON	ON	-
25 lux	-	ON	-
50 lux	ON	-	-
Disable	-	-	-

The sensor is activated, as the ambient brightness drops below the threshold. The brightness can be adjusted by DIP switch (7, 8, 9) from 2 to 50 lux, or also be deactivated.



Important notice

Download the safety instructions at www.illuburg.de/infocenter, read them carefully and observe the listed instructions and information for proper use.

Disclaimer of liability

Subject to changes and errors excepted. Make sure you are using the latest version.

Manufacturer Information

If you have any further questions, please contact our technical support.

HuaTec GmbH
Droopweg 31
20537, Hamburg, Germany

Telefon: +49 40 236448800
E-Mail: info@illuburg.de
Website: www.illuburg.de

