

# Datasheet & Operating instructions

## Model: CS5-30C700-D3

LED power supply for 700 mA constant current  
21...42 Vdc, 15...30 W, IP65, Built-in installation  
TRIAC (leading & trailing edge) dimmable



## Electrical data

Rated Input Voltage	220...240 Vac	
Range of input voltage	198...264 Vac	
Range of input voltage (DC)	176...370 Vdc	
Mains frequency	50/60 Hz	
Power factor ( $\lambda$ )	$\geq 0.95$	Full load
Input current	0.19 A max.	
Inrush current	5 A max.	
Output voltage	21...42 Vdc	
Output current	700 mA	
Output power (nominal)	15...30 W	
Efficiency	$\geq 84\%$	Full load
Life time	> 50,000 h	
Dimmable mode	TRIAC (leading & trailing edge)	
Dimming range	1...100 %	

## Operating condition

Operating temperature range ( $t_a$ )	-20...+60 °C	
Max. Surface temperature ( $t_c$ )	85 °C	
Permitted rel. humidity	5...85 %	
Protection class	II	
Type of protection	IP65	

## Protection

Short circuit protection	Yes *	
Overload protection	Yes *	
Overvoltage protection	Yes *	> 50 Vdc
No-load protection	Yes *	
Overheating protection	Yes *	

(\*) The output shuts off and will be resumed, after problem is removed and led driver is restarted.

## Standards

<b>Standards</b>	EN 61347-1, EN 61347-2-13 EN 62493, EN 55015, EN 61547 EN 61000-3-2, EN 61000-3-3	
<b>Marking</b>	CE, UKCA	
<b>RoHS compliant</b>	Yes	

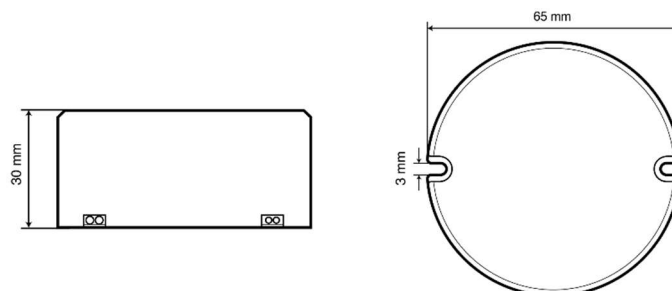
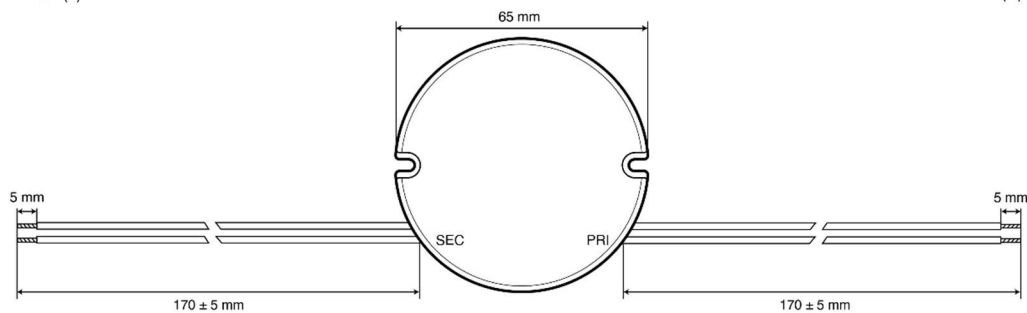
## Installation

<b>Cable length, input side</b>	170 ± 5 mm	
<b>Cable length, output side</b>	170 ± 5 mm	
<b>Cable cross-section, input side</b>	2 x 20 AWG	
<b>Cable cross-section, output side</b>	2 x 22 AWG	
<b>Cable preparation length, input side</b>	5 mm	
<b>Cable preparation length, output side</b>	5 mm	
<b>Circuit breaker (230V)</b>	10A Type B: 52 pc. 13A Type B: 68 pc. 16A Type B: 84 pc. 20A Type B: 105 pc.	10A Type C: 52 pc. 13A Type C: 68 pc. 16A Type C: 84 pc. 20A Type C: 105 pc.

## Dimension

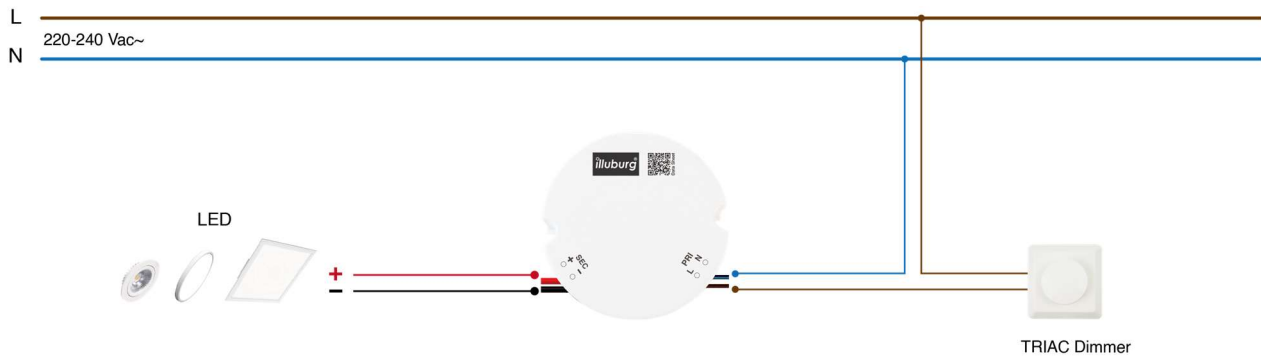
DC OUTPUT (2 x 22AWG)  
RED (+)  
BLACK (-)

AC INPUT (2 x 20AWG)  
BROWN (L)  
BLUE (N)



Unspecified tolerance: ±2

## Connection



## Important notice

Download the safety instructions at [www.illuburg.de/infocenter](http://www.illuburg.de/infocenter), read them carefully and observe the listed instructions and information for proper use.

## Disclaimer of liability

Subject to changes and errors excepted. Make sure you are using the latest version.

## Manufacturer Information

If you have any further questions, please contact our technical support.

HuaTec GmbH  
Droopweg 31  
20537, Hamburg, Germany

Telefon: +49 40 236448800  
E-Mail: [info@illuburg.de](mailto:info@illuburg.de)  
Website: [www.illuburg.de](http://www.illuburg.de)

