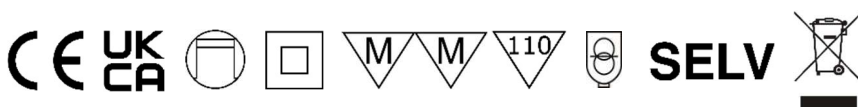


Datasheet & Operating instructions

Model: LS-40C350-D3

LED power supply for 350 mA constant current
53...106 Vdc, 18.6...37.1 W, IP20, independent installation
TRIAC (leading & trailing edge) dimmable



Exploded view



Electrical data

| | | |
|--|---------------------------------|-----------|
| Rated Input Voltage | 220...240 Vac | |
| Mains frequency | 50/60 Hz | |
| Power factor (λ) | ≥ 0.95 | Full load |
| Input current | 0.25 A max. | |
| Inrush current | 5 A max. | |
| Output voltage | 53...106 Vdc | |
| Output current | 350 mA | |
| Output power (nominal) | 18.6...37.1 W | |
| Efficiency | $\geq 86\%$ | Full load |
| Life time | > 50,000 h | |
| Dimming mode | TRIAC (leading & trailing edge) | |
| Dimming range | 1...100 % | |

Operating condition

| | | |
|---|--------------|--|
| Operating temperature range (t_a) | -20...+45 °C | |
| Max. Surface temperature (t_c) | 80 °C | |
| Permitted rel. humidity | 5...85 % | |
| Protection class | II | |
| Type of protection | IP20 | |

Protection

| | | |
|---------------------------------|-------|--|
| Short circuit protection | Yes * | |
| Overload protection | Yes * | |
| No-load protection | Yes * | |
| Overheating protection | Yes * | |

(*) The output shuts off and will be resumed, after problem is removed and led driver is restarted.

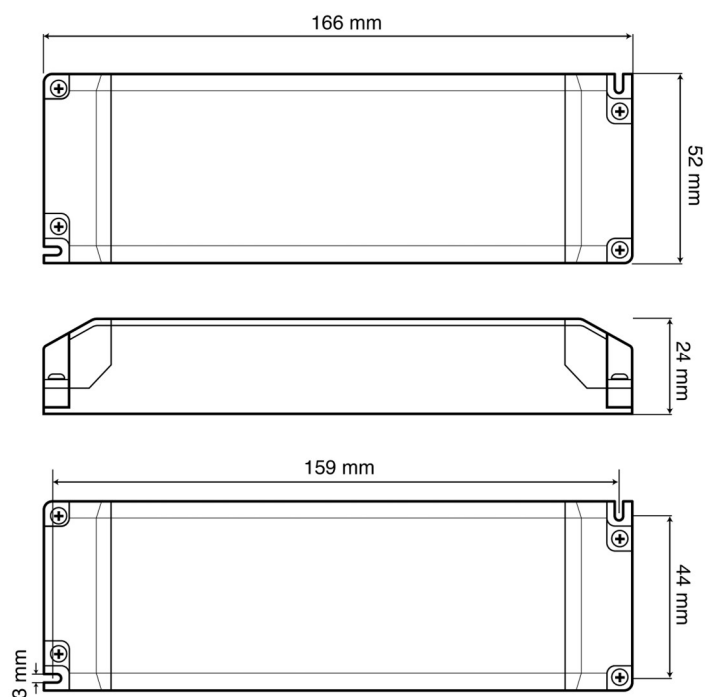
Standards

| | | |
|-----------------------|---|--|
| Standards | EN 61347-1, EN 61347-2-13 EN 62493, EN 55015, EN 61547 EN 61000-3-2, EN 61000-3-3 | |
| Marking | CE, UKCA | |
| RoHS compliant | Ja | |

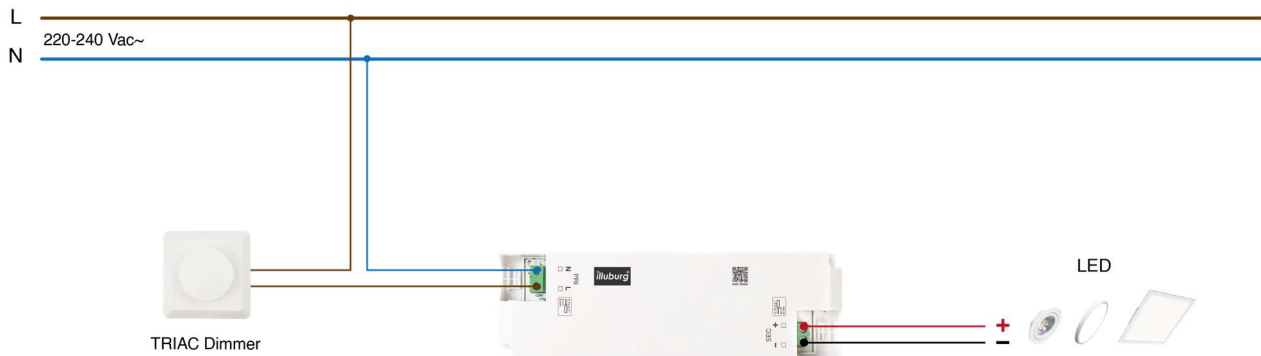
Installation

| | | |
|--|----------------------------|--|
| Type of Installation | Independent installation | |
| Type of connection | Screw terminal | |
| Cable cross-section, input side | 0.75...2.5 mm ² | |
| Cable cross-section, output side | 0.75...2.5 mm ² | |
| Cable preparation length, input side | 6...8 mm | |
| Cable preparation length, output side | 6...8 mm | |

Dimension



Connection



Important notice

Download the safety instructions at www.illuburg.de/infocenter, read them carefully and observe the listed instructions and information for proper use.

Disclaimer of liability

Subject to changes and errors excepted. Make sure you are using the latest version.

Manufacturer Information

If you have any further questions, please contact our technical support.

HuaTec GmbH
Droopweg 31
20537, Hamburg, Germany

Telefon: +49 40 236448800
E-Mail: info@illuburg.de
Website: www.illuburg.de

