

Datasheet & Operating instructions

Model: LS-40C700-D3

LED power supply for 700 mA constant current
28...56 Vdc, 19.6...39.2 W, IP20, independent installation
TRIAC (leading & trailing edge) dimmable



Exploded view



Electrical data

Rated Input Voltage	220...240 Vac	
Mains frequency	50/60 Hz	
Power factor (λ)	≥ 0.95	Full load
Input current	0.3 A max.	
Inrush current	5 A max.	
Output voltage	28...56 Vdc	
Output current	700 mA	
Output power (nominal)	19.6...39.2 W	
Efficiency	$\geq 86\%$	Full load
Life time	> 50.000 h	
Dimming mode	TRIAC (leading & trailing edge)	
Dimming range	1...100 %	

Operating condition

Operating temperature range (t_a)	-20...+45 °C	
Max. Surface temperature (t_c)	80 °C	
Permitted rel. humidity	5...85 %	
Protection class	II	
Type of protection	IP20	

Protection

Short circuit protection	Yes *	
Overload protection	Yes *	
No-load protection	Yes *	
Overheating protection	Yes *	

(*) The output shuts off and will be resumed, after problem is removed and led driver is restarted.

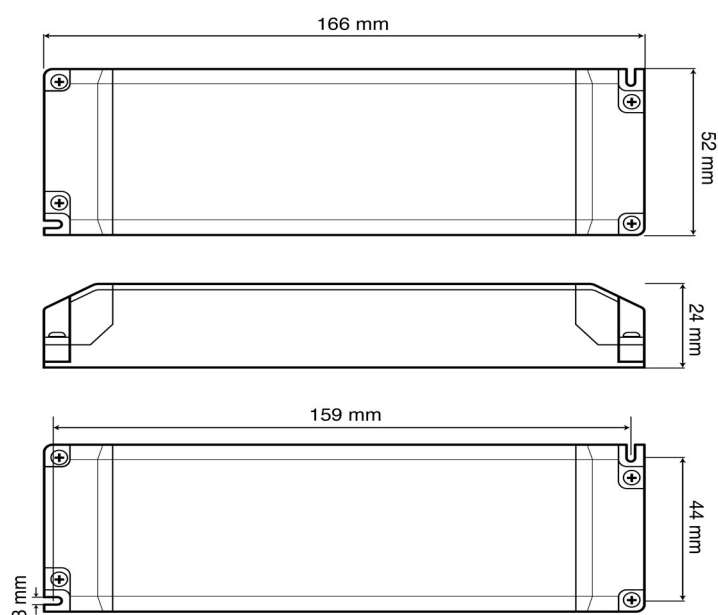
Standards

Standards	EN 61347-1, EN 61347-2-13 EN 62493, EN 55015, EN 61547 EN 61000-3-2, EN 61000-3-3	
Marking	CE, UKCA	
RoHS compliant	Ja	

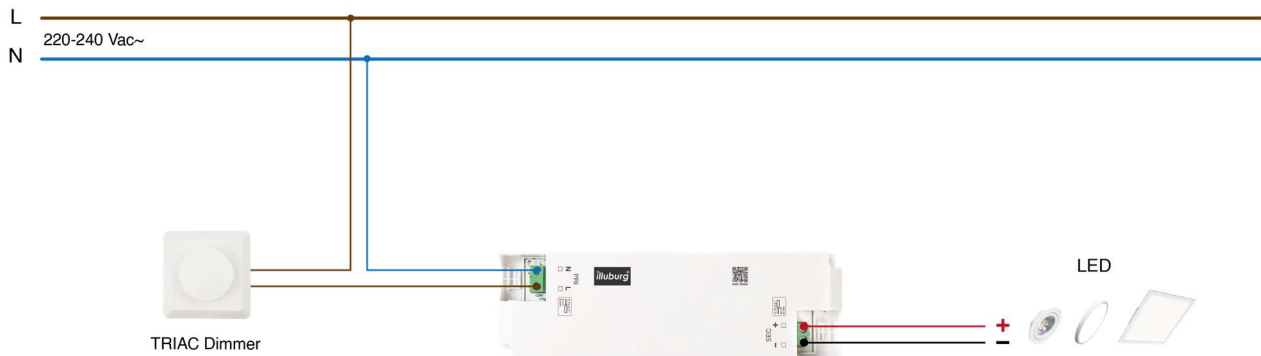
Installation

Type of Installation	Independent installation	
Type of connection	Screw terminal	
Cable cross-section, input side	0.75...2.5 mm ²	
Cable cross-section, output side	0.75...2.5 mm ²	
Cable preparation length, input side	8 mm	
Cable preparation length, output side	8 mm	
Circuit breaker (230V)	10A Type B: 35 pc. 13A Type B: 46 pc. 16A Type B: 56 pc. 20A Type B: 70 pc. 25A Type B: 88 pc.	10A Type C: 40 pc. 13A Type C: 52 pc. 16A Type C: 64 pc. 20A Type C: 80 pc. 25A Type C: 100 pc.

Dimension



Connection



Important notice

Download the safety instructions at www.illuburg.de/infocenter, read them carefully and observe the listed instructions and information for proper use.

Disclaimer of liability

Subject to changes and errors excepted. Make sure you are using the latest version.

Manufacturer Information

If you have any further questions, please contact our technical support.

HuaTec GmbH
Droopweg 31
20537, Hamburg, Germany

Telefon: +49 40 236448800
E-Mail: info@illuburg.de
Website: www.illuburg.de

