

# Datasheet & Operating instructions

## Model: SS5-10C500-D3

LED power supply for 500 mA constant current  
10...20 Vdc, 5...10 W, IP65, Built-in installation  
TRIAC (leading & trailing edge) dimmable



## Electrical data

<b>Rated Input Voltage</b>	220...240 Vac	
<b>Range of input voltage</b>	198...264 Vac	
<b>Mains frequency</b>	50/60 Hz	
<b>Power factor (<math>\lambda</math>)</b>	$\geq 0.90$ C	Full load
<b>Input current</b>	0.08 A max.	
<b>Inrush current</b>	5 A max.	
<b>Output voltage</b>	10...20 Vdc	
<b>Output current</b>	500 mA	
<b>Output power (nominal)</b>	5...10 W	
<b>Efficiency</b>	$\geq 76$ %	Full load
<b>Life time</b>	> 50,000 h	
<b>Dimmable mode</b>	TRIAC (leading & trailing edge)	
<b>Dimming range</b>	1...100 %	

## Operating condition

<b>Operating temperature range (<math>t_a</math>)</b>	-20...+60 °C	
<b>Max. Surface temperature (<math>t_c</math>)</b>	90 °C	
<b>Permitted rel. humidity</b>	5...85 %	
<b>Protection class</b>	II	
<b>Type of protection</b>	IP65	

## Protection

<b>Short circuit protection</b>	Yes *	
<b>Overload protection</b>	Yes *	
<b>Overvoltage protection</b>	Yes *	> 26 Vdc
<b>No-load protection</b>	Yes *	
<b>Overheating protection</b>	Yes *	

(\*) The output shuts off and will be resumed, after problem is removed and led driver is restarted.

## Standards

<b>Standards</b>	EN 61347-1, EN 61347-2-13 EN 62384, EN 60598-1 EN 55015, EN 61547 EN 61000-3-2, EN 61000-3-3	
<b>Marking</b>	CE, UKCA	
<b>RoHS compliant</b>	Yes	

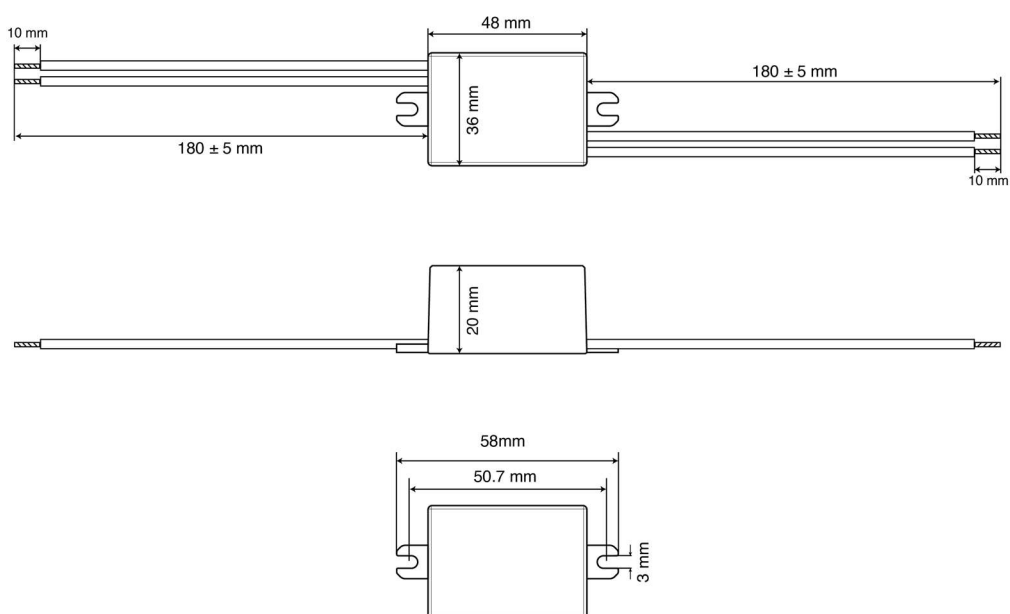
## Installation

<b>Cable length, input side</b>	180 ± 5 mm	
<b>Cable length, output side</b>	180 ± 5 mm	
<b>Cable cross-section, input side</b>	2 x 20 AWG	
<b>Cable cross-section, output side</b>	2 x 22 AWG	
<b>Cable preparation length, input side</b>	5 mm	
<b>Cable preparation length, output side</b>	5 mm	
<b>Circuit breaker (230V)</b>	10A Type B: 100 pc. 16A Type B: 160 pc.	10A Type C: 100 pc. 16A Type C: 160 pc.

## Dimension

AC INPUT (2 x 0.5 MM<sup>2</sup>)  
BROWN (L)  
BLUE (N)

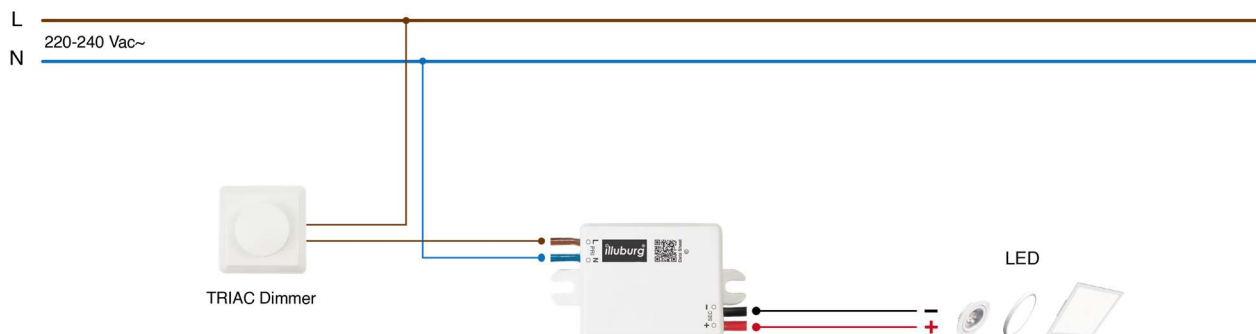
DC OUTPUT (2 x 0.5 MM<sup>2</sup>)  
RED (+)  
BLACK (-)



Unspecified tolerance: ±2

28-07-2024

## Connection



## Important notice

Download the safety instructions at [www.illuburg.de/infocenter](http://www.illuburg.de/infocenter), read them carefully and observe the listed instructions and information for proper use.

## Disclaimer of liability

Subject to changes and errors excepted. Make sure you are using the latest version.

## Manufacturer Information

If you have any further questions, please contact our technical support.

HuaTec GmbH  
Droopweg 31  
20537, Hamburg, Germany

Telefon: +49 40 236448800  
E-Mail: [info@illuburg.de](mailto:info@illuburg.de)  
Website: [www.illuburg.de](http://www.illuburg.de)

