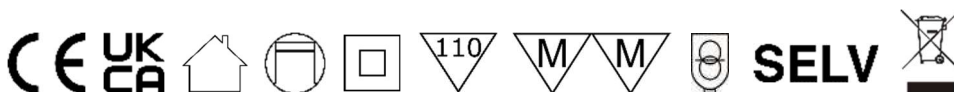


# Datasheet & Operating instructions

## Model: LS-100V12-D3

LED power supply for 12 Vdc constant voltage  
 2.7...8.3 A, 33...100 W, IP20, independent installation  
 TRIAC (leading & trailing edge) dimmable  
 Flickerfree according to IEEE 1789



### Exploded view



## Electrical data

<b>Rated Input Voltage</b>	220...240 Vac	
<b>Range of input voltage</b>	198...264 Vac	
<b>Mains frequency</b>	50/60 Hz	
<b>Power factor (<math>\lambda</math>)</b>	$\geq 0.95$	Full load
<b>Input current</b>	0.6 A max.	
<b>Inrush current</b>	45 A max.	
<b>Output voltage</b>	12 Vdc	
<b>Output current</b>	2.7...8.3 A	
<b>Output power (nominal)</b>	33...100 W	
<b>Efficiency</b>	$\geq 90\%$	Full load
<b>Life time</b>	> 50,000 h	
<b>Dimmable</b>	TRIAC (leading & trailing edge)	
<b>Dimming range</b>	1...100 %	

## Operating condition

<b>Operating temperature range (<math>t_a</math>)</b>	-20...+45 °C	
<b>Max. Surface temperature (<math>t_c</math>)</b>	80 °C	
<b>Permitted rel. humidity</b>	5...85 %	
<b>Protection class</b>	II	
<b>Type of protection</b>	IP20	

## Protection

<b>Short circuit protection</b>	Yes *	
<b>Overload protection</b>	Yes *	
<b>Overvoltage protection</b>	Yes *	
<b>No-load protection</b>	Yes *	
<b>Overheating protection</b>	Yes *	

(\*) The output shuts off and will be resumed, after problem is removed and led driver is restarted.

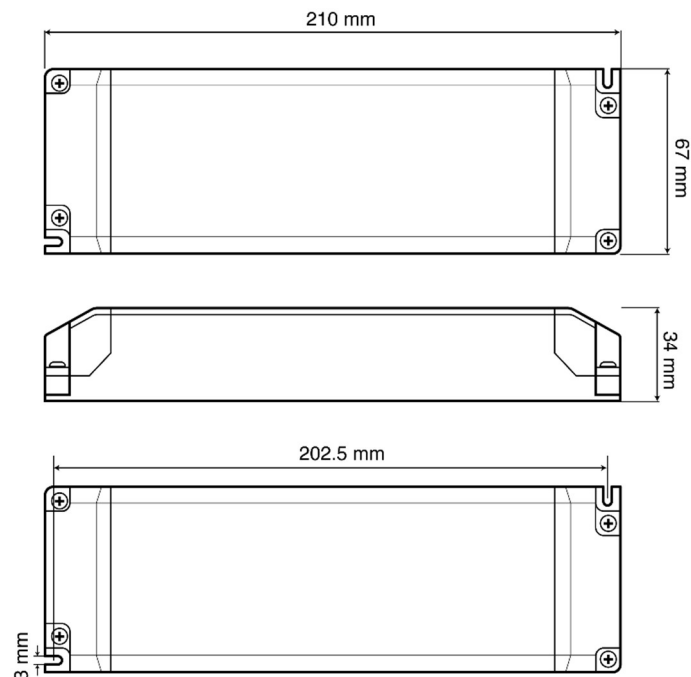
## Standards

<b>Standards</b>	EN 61347-1, EN 61347-2-13 EN 60598-1, EN 62384 EN 55015, EN 61547 EN 61000-3-2, EN 61000-3-3	
<b>Marking</b>	CE, UKCA	
<b>RoHS compliant</b>	Yes	

## Installation

<b>Type of installation</b>	Independent installation	
<b>Type of connection</b>	Screw terminal	
<b>Cable cross-section, input side</b>	0.75...2.5 mm <sup>2</sup>	
<b>Cable cross-section, output side</b>	0.75...2.5 mm <sup>2</sup>	
<b>Cable preparation length, input side</b>	8 mm	
<b>Cable preparation length, output side</b>	8 mm	
<b>Circuit breaker (230V)</b>	10A Type B: 17 pc. 16A Type B: 28 pc.	10A Type C: 35 pc. 16A Type C: 56 pc.

## Dimension



## Connection



## Important notice

Download the safety instructions at [www.illuburg.de/infocenter](http://www.illuburg.de/infocenter), read them carefully and observe the listed instructions and information for proper use.

## Disclaimer of liability

Subject to changes and errors excepted. Make sure you are using the latest version.

## Manufacturer Information

If you have any further questions, please contact our technical support.

HuaTec GmbH  
Droopweg 31  
20537, Hamburg, Germany

Telefon: +49 40 236448800  
E-Mail: [info@illuburg.de](mailto:info@illuburg.de)  
Website: [www.illuburg.de](http://www.illuburg.de)



[www.illuburg.de](http://www.illuburg.de)