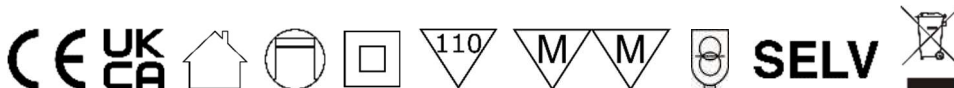


Datasheet & Operating instructions

Model: LS-150V24-D3

LED power supply for 24 Vdc constant voltage
2.08...6.25 A, 50...150 W, IP20, independent installation
TRIAC (leading & trailing edge) dimmable
Flickerfree according to IEEE 1789



Exploded view



Electrical data

Rated Input Voltage	220...240 Vac	
Range of input voltage	198...264 Vac	
Mains frequency	50/60 Hz	
Power factor (λ)	≥ 0.95	Full load
Input current	0.9 A max.	
Inrush current	40 A max.	
Output voltage	24 Vdc	
Output current	2.08...6.25 A	
Output power (nominal)	50...150 W	
Efficiency	$\geq 89\%$	Full load
Life time	> 50,000 h	
Dimming mode	TRIAC (leading & trailing edge)	
Dimming range	1...100 %	

Operating condition

Operating temperature range (t_a)	-20...+45 °C	
Max. Surface temperature (t_c)	90 °C	
Permitted rel. humidity during operation	5...85 %	
Protection class	II	
Type of protection	IP20	

Protection

Short circuit protection	Yes *	
Overload protection	Yes *	
Overcurrent protection	Yes *	
No-load protection	Yes *	
Overheating protection	Yes *	

(*) The output shuts off and will be resumed, after problem is removed and led driver is restarted.

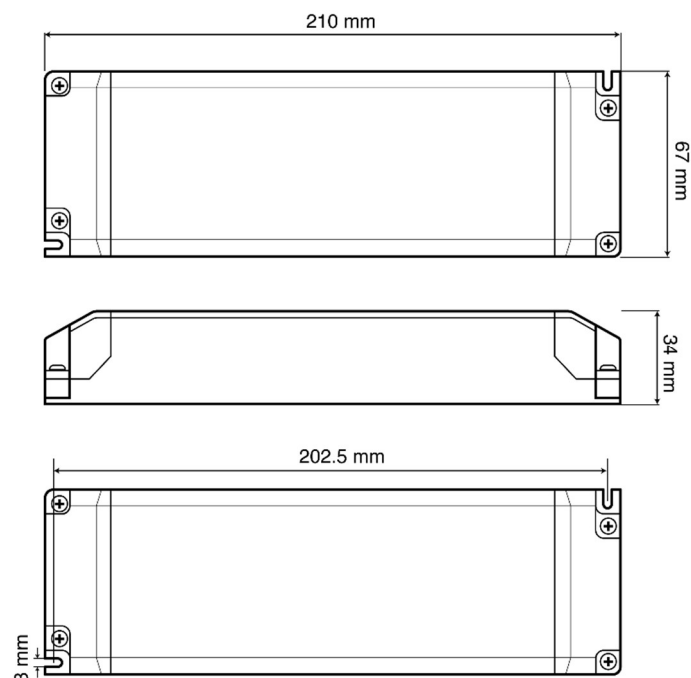
Standards

Standards	EN 61347-1, EN 61347-2-13 EN 60598-1, EN 62384 EN 55015, EN 61547 EN 61000-3-2, EN 61000-3-3	
Marking	CE, UKCA	
RoHS compliant	Yes	

Installation

Type of installation	Independent installation	
Type of connection	Screw terminal	
Cable cross-section, input side	0.75...2.5 mm ²	
Cable cross-section, output side	0.75...2.5 mm ²	
Cable preparation length, input side	8 mm	
Cable preparation length, output side	8 mm	
Circuit breaker (230V)	10A Type B: 3 pc. 16A Type B: 4 pc.	10A Type C: 6 pc. 16A Type C: 9 pc.

Dimension



Connection



Important notice

Download the safety instructions at www.illuburg.de/infocenter, read them carefully and observe the listed instructions and information for proper use.

Disclaimer of liability

Subject to changes and errors excepted. Make sure you are using the latest version.

Manufacturer Information

If you have any further questions, please contact our technical support.

HuaTec GmbH
Droopweg 31
20537, Hamburg, Germany

Telefon: +49 40 236448800
E-Mail: info@illuburg.de
Website: www.illuburg.de

