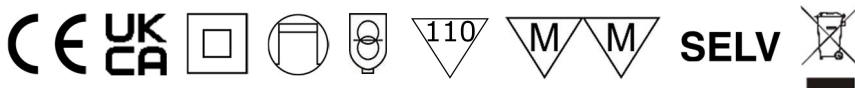


# Datasheet & Operating instructions

## Model: UF-50V12-D4

LED power supply for 12 Vdc constant voltage  
1.6...4.16 A, 19.2...50 W, IP20, independent installation  
TRIAC (leading & trailing edge) dimmable





## Electrical data

<b>Rated input voltage</b>	220...240 Vac	
<b>Range of input voltage</b>	198...264 Vac	
<b>Mains frequency</b>	50/60 Hz	
<b>Power factor (<math>\lambda</math>)</b>	$\geq 0.9$	
<b>Input current</b>	0.3 A max.	Full Load, 230 Vac
<b>Inrush current</b>	75 A max.	
<b>Leakage current</b>	0.7 mA max.	
<b>Output voltage</b>	12 Vdc	
<b>Output current</b>	1.6...4.16 A	
<b>Output power (nominal)</b>	19.2...50 W	
<b>Efficiency</b>	$\geq 85\%$	Full Load, 230 Vac
<b>Life time</b>	> 30,000 h	
<b>Dimming mode</b>	TRIAC (leading & trailing edge)	
<b>Dimming range</b>	10...100 %	

## Operating condition

<b>Operating temperature range (<math>t_a</math>)</b>	-20...+45 °C
<b>Max. Surface temperature (<math>t_c</math>)</b>	85 °C
<b>Permitted rel. humidity</b>	10...90 %
<b>Protection class</b>	II
<b>Type of protection</b>	IP20

## Protection

<b>Short circuit protection</b>	Yes *
<b>Overload protection</b>	Yes *
<b>Overvoltage protection</b>	Yes *

(\*) The output shuts off and will be resumed, after problem is removed and led driver is restarted.

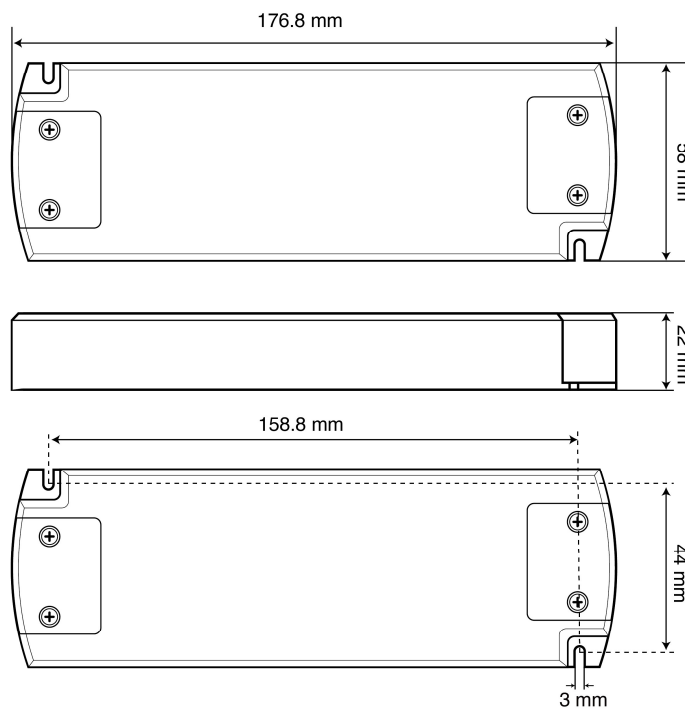
## Standards

<b>Standards</b>	EN 61347-1, EN 61347-2-13 EN 62493, EN 55015, EN 61547 EN 61000-3-2, EN 61000-3-3
<b>Marking</b>	CE, UKCA
<b>RoHS compliant</b>	Yes

## Installation

<b>Type of installation</b>	Independent installation
<b>Type of connection</b>	Screw terminal
<b>Cable cross-section, input side</b>	0.5...1.5 mm <sup>2</sup>
<b>Cable cross-section, output side</b>	0.5...1.5 mm <sup>2</sup>
<b>Cable preparation length, input side</b>	6 mm
<b>Cable preparation length, output side</b>	6 mm

## Dimension



Unspecified tolerance: ±2

## Connection



## Important notice

Download the safety instructions at [www.illuburg.de/infocenter](http://www.illuburg.de/infocenter), read them carefully and observe the listed instructions and information for proper use.

## Disclaimer of liability

Subject to changes and errors excepted. Make sure you are using the latest version.

## Manufacturer Information

If you have any further questions, please contact our technical support.

HuaTec GmbH  
Droopweg 31  
20537, Hamburg, Germany

Telefon: +49 40 236448800  
E-Mail: [info@illuburg.de](mailto:info@illuburg.de)  
Website: [www.illuburg.de](http://www.illuburg.de)

