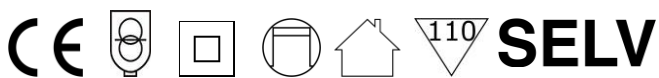


## LS-75V12-D2

LED power supply for 12 Vdc constant voltage  
6.25 A (75 W) max., IP20, independent installation  
Leading / trailing edge (TRIAC) dimmable  
suitable for GU5.3(MR16) / G4(M11) and LED strips



Exploded view



## Electrical data

<b>Input voltage (nominal)</b>	220...240 Vac	
<b>Input voltage (range)</b>	176...264 Vac	
<b>Mains frequency</b>	50/60 Hz	
<b>Power factor (<math>\lambda</math>)</b>	> 0.98	Full Load, 230Vac
<b>Input current</b>	0.43 A max.	Full Load, 230Vac,
<b>Inrush current</b>	19.4 A max.	230Vac
<b>Leakage current</b>	< 0.7 mA	240 Vac
<b>Output voltage</b>	12 Vdc	
<b>Output current</b>	6.25 A max.	
<b>Output power (nominal)</b>	75 W max.	
<b>Efficiency</b>	87 %	Full Load, 220Vac
<b>Life time</b>	> 50,000 h	85 °C
<b>Dimming mode</b>	Triac (leading & trailing edge)	

## Operating condition

<b>Operating temperature range (<math>t_a</math>)</b>	-20...+50 °C
<b>Max. Surface temperature (<math>t_c</math>)</b>	85 °C
<b>Permitted rel. humidity</b>	20...90 %
<b>Protection class</b>	II
<b>Type of protection</b>	IP20

## Protection

<b>Short circuit protection</b>	Yes *	
<b>Overload protection</b>	Yes *	105...150 %
<b>Overvoltage protection</b>	Yes *	

(\*) The output shuts off and will be resumed, after problem is removed and led driver is restarted.

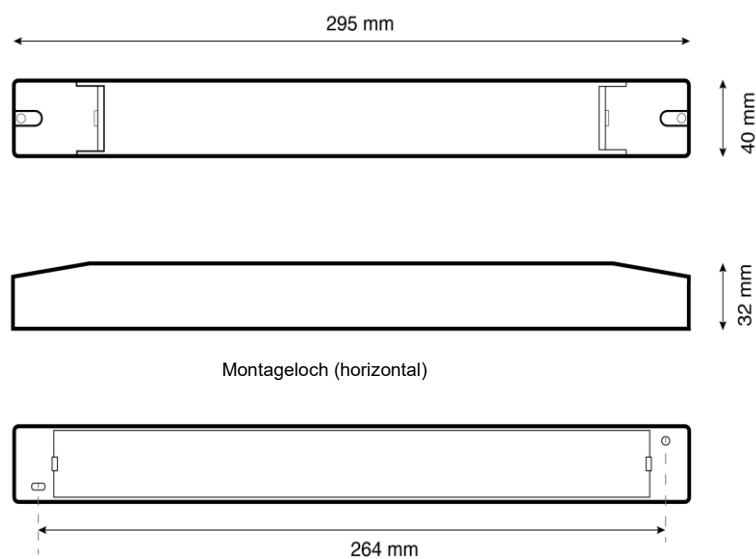
## Standards & Certificates

<b>Standards (LVD)</b>	EN 61347-1, EN 61347-2-13 EN 62493
<b>Standards (EMC)</b>	EN 61000-3-2, EN 61000-3-3 EN 61000-4-2, EN 61000-4-5 EN 55015, EN 61547
<b>Approval marks</b>	CE
<b>RoHS compliant</b>	Yes

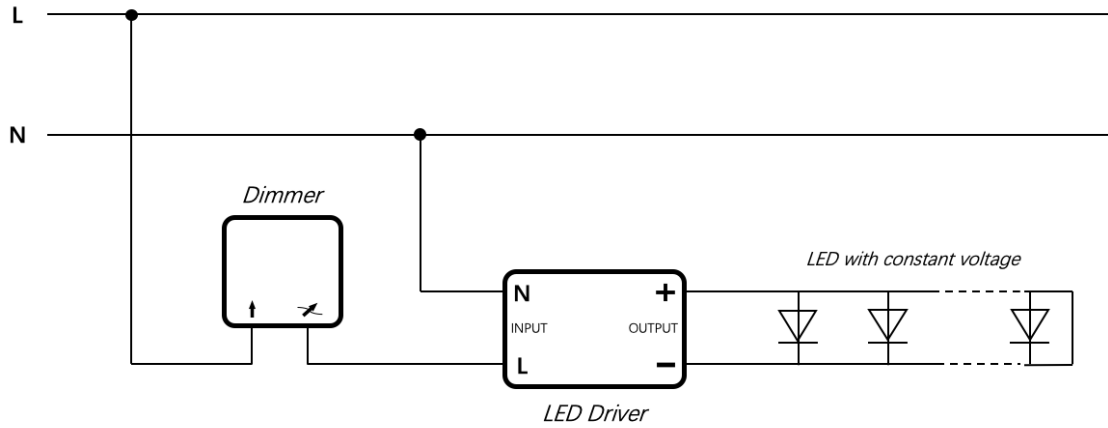
## Installation

<b>Type of installation</b>	Independent installation
<b>Type of connection</b>	Screw terminal
<b>Cable cross-section, input side</b>	0.75...1.5 mm <sup>2</sup>
<b>Cable cross-section, output side</b>	0.75...1.5 mm <sup>2</sup>
<b>Cable preparation length, input side</b>	8 mm
<b>Cable preparation length, output side</b>	8 mm

## Dimension



## Connection



## Safety Notice

	<p>Dangerous currents flow through the body when coming into direct or indirect contact with live components. This can result in electric shock, burns or even death. Work improperly carried out on current-carrying parts can cause fires.</p> <ul style="list-style-type: none"> <li>■ Disconnect the mains power supply prior to installation and/or disassembly!</li> <li>■ Permit work on the 230 V supply system to be performed only by specialist staff.</li> </ul>
--	--