

ECO-128A-WW

Flexible LED Strips 5m Role

128 LEDs/m, 120lm/W, 12W/m, 12V, 2700K



illuburg ECO-128A-WW	
A	▶
B	▶
C	▶
D	▶
E	▶
F	▶
G	▶
	◀ D
6	kWh/1000h
<small>5102/6102</small>	
<small>The data shown under QR code are measured for LED strips with length of 500mm. For the data of actual product please reference the product data sheet.</small>	

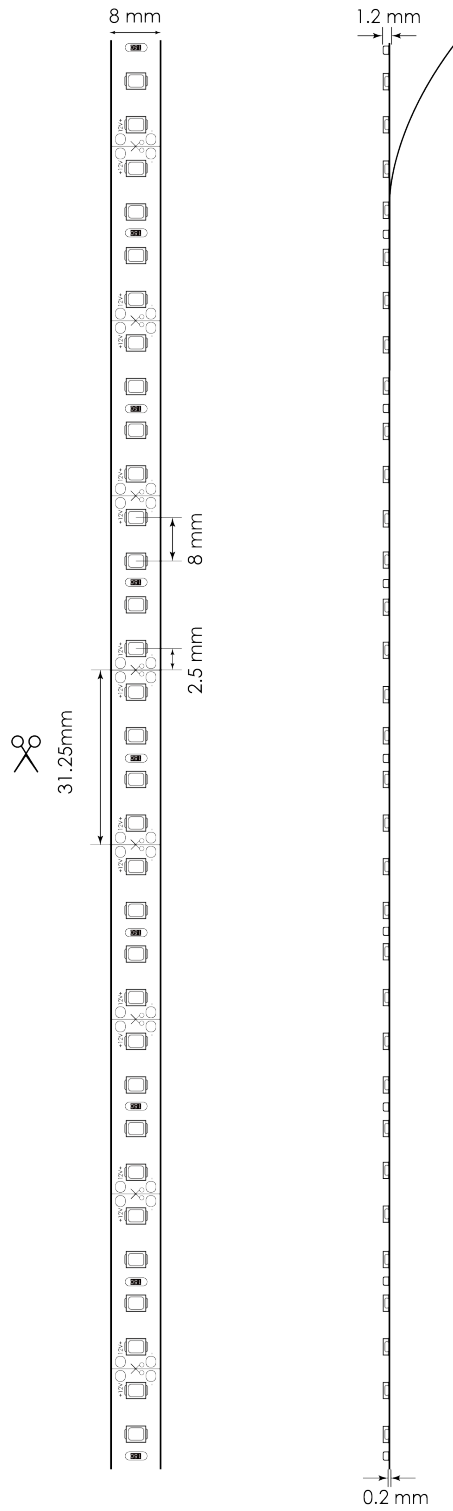
Dimming Effect



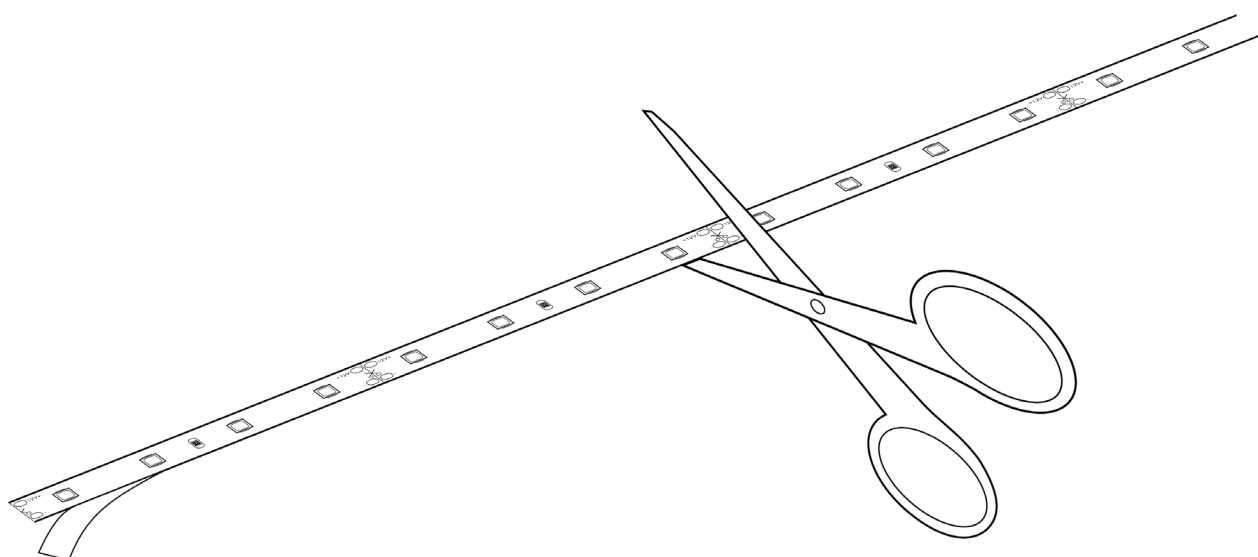
Technical Data

Model	ECO-128A-WW
LED type	SMD 2835
Operating voltage	12 Vdc (constant voltage)
LED quantity	640 (128 LEDs/m)
Power	60 W (12 W/m)
Efficiency	120 lm/W
Light flux	7200 lm (1440 lm/m)
CRI	> 80 Ra
Color temperature	2700 K
Length	5000 mm
Width	8 mm
Hight	1,2 mm
Life time	> 30000 h
Operating temperature (tc)	-25 °C ... + 80 °C
Storage temperature	-40 °C ... + 100 °C
Protection type	IP20
CE / RoHS	Ja

Dimension

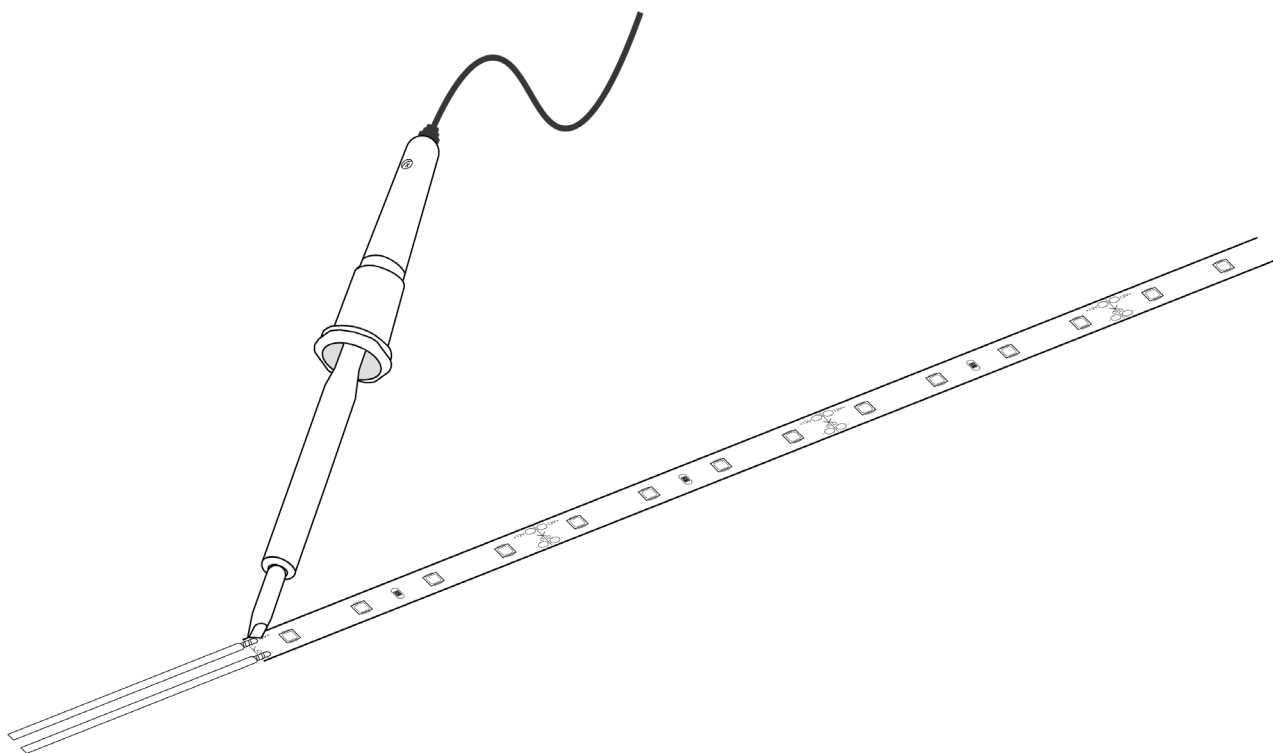


Operation



The LED strips can easily be separated or shortened with a cutter at the point of intersection. There is a double-sided, thermally conductive adhesive tape on the back of the LED strips, which enables the LED strips to be installed quickly and easily.

Connection



The original 5m LED strip has a cable connection on one side. After shortening the LED strips, a new connection can be made through soldering cable on the soldering pads provided for this purpose.

Safety Notice



- Disconnect the mains power supply prior to installation and/or disassembly!
- Please pay attention to standard ESD precautions while installing the LED Strips.
- The LED strips and all their components should not be mechanically stressed. Please avoid excessive force during assembly, the conductor tracks on the circuit boards must not be damaged or disconnected.
- Our LED Strips are not protected against overload, overtemperature and short-circuit currents. For safe and reliable operation, it is necessary to use an electronically stabilized LED Power Supply in which the appropriate safety functions (short-circuit protection, overload protection, overtemperature protection) are integrated.
- Please store and operate the LED Strips only at a humidity of 10% to 60%.
- The working temperatures must not exceed the maximum values stated at the datasheet.